

GENERATORS

Selection and Pricing Catalog

Pricing Effective March 7, 2011



MARATHON ELECTRIC
GENERATORS

UL Listed
Generators...



...to Facilitate Your
UL2200 Gen-Set Listing

ISO 9001:2008 Certified



MAGNAPLUS®, MAGNAMAX®, MAGNAPOWER® - 60 Hertz, 1800 RPM, 4 Pole

240Y or 480Y Volts, 480Y Volts	2,3
208Y or 416Y Volts, 240 or 120 Volts Delta	4,5
220Y or 440Y Volts, 440Y Volts	6,7
208Y-240Y or 416Y-480Y Volts, 240 or 120 Volts Delta, Broad Range	8,9
190Y or 380Y Volts, 380Y, 220 or 110 Volts Delta	10,11
380Y Volts, Dedicated Designs	12
600Y Volts, Dedicated Designs	13
Single Phase	
240/120 Volts, 120 Volts Delta, 12 Lead	14
120 or 240/120 Volts, Dedicated, 4 Lead	15

Expanded Offering!

MAGNAMAX® & MAGNAPOWER®, 2400-13800 Volts

Medium Voltage, MAGNAMAX® & MAGNAPOWER®	
2400Y/1386 Volts, 1386 Volts Delta, 60 Hz	16
3300Y/1905 Volts, 1905 Volts Delta, 60 Hz	16
4160Y/2402 Volts, 2402 Volts Delta, 60 Hz	17
3300Y/1905 Volts, 1905 Volts Delta, 50 Hz	17
6300Y/3637 Volts, 3637 Volts Delta, 60 Hz	18
6600Y/3811 Volts, 3811 Volts Delta, 60 Hz	18
6900Y/3984 Volts, 3984 Volts Delta, 60 Hz	18
6300Y/3637 Volts, 3637 Volts Delta, 50 Hz	19
6600Y/3811 Volts, 3811 Volts Delta, 50 Hz	19
6900Y/3984 Volts, 3984 Volts Delta, 50 Hz	19
High Voltage, MAGNAPOWER®	
12470Y/7200 Volts, 7200 Volts Delta, 60 Hz	20
13200Y/7621 Volts, 7621 Volts Delta, 60 Hz	20
13800Y/7967 Volts, 7967 Volts Delta, 60 Hz	20
10000Y/5774 Volts, 5774 Volts Delta, 50 Hz	21
10500Y/6062 Volts, 6062 Volts Delta, 50 Hz	21
11000Y/6351 Volts, 6351 Volts Delta, 50 Hz	21

Expanded Offering!

MAGNAPLUS®, MAGNAMAX®, MAGNAPOWER® - 50 Hertz, 1500 RPM, 4 Pole

208Y or 415Y Volts, 415Y Volts, 240 or 120 Volts Delta	22,23
190Y or 380Y Volts, 380Y Volts, 220 or 110 Volts Delta	24,25
220Y or 440Y Volts, 440Y Volts	26,27
200Y or 400Y Volts, 400Y Volts, 230 or 115 Volts Delta	28,29
190Y-208Y or 380Y-415Y Volts, Broad Range	30,31
Single Phase	
220/110 Volts, 110 Volts Delta, 12 Lead	32
110 or 220/110 Volts, Dedicated, 4 Lead	33

Specialty Generators

6 Pole

Expanded Offering!

60 Hz , 1200 RPM	34
60 Hz , 1200 RPM, Single Phase, 120/240 Volts	34
50 Hz , 1000 RPM	35

400 Hertz

24 Pole, 208Y or 416Y Volts	36
-----------------------------------	----

Pancake

Capacitor For Light Tower, 60 Hz , 4 Pole, Single Phase, 240/120 Volts	36
Capacitor For Light Tower, 50 Hz , 4 Pole, Single Phase, 220/110 Volts	36
Automatic Voltage Regulated (AVR), 60 Hz , Single Phase	15

MAGNALITE® Ballastless Light Tower Generators	36
--	----

NEW!

MAGNASMART®	37
--------------------------	----

LIMA®MAC

60 Hz , 4 Pole, LIMA®MAC and LIMA®MAC Reefer	38
---	----

Drill Rig Duty

60 Hz , 480Y/277 Volts	39
60 Hz , 600Y/346 Volts	39

Crane Duty Generators	39
------------------------------------	----

PRIMELINE® Induction Generators

60 Hz , 4 Pole, One Bearing, 240 or 480 Volts	40
60 Hz , 4 Pole, One Bearing, 208 or 416 Volts	40
60 Hz , 4 Pole, Two Bearing, 480 Volts	40
60 Hz , 6 Pole, Two Bearing, 480 Volts	40

Marathon Mariner	41
-------------------------------	----

ABS

60 Hz , 4 Pole, American Bureau of Shipping (ABS) Certified Generators	42
---	----

Marine Classification Society Requirements Table	43
---	----

Dual Voltage

480Y and 208Y Volts, 60 Hz , 4 Pole	43
--	----

UL Listed

60 Hz , 4 Pole, UL2200 Application Ratings	44,45
---	-------

NEW!

Rail Duty Generators	46
-----------------------------------	----

NEW!

High Efficiency Generators	47
---	----

Hydraulic Drive (see Modification Section)	49
---	----

Technical Information

Modification Section: Generators, Voltage Regulators & Accessories, Testing	48-51
General Notes	51
Dimensional Data	52-56
Standard SAE Dimensions & Mounting Arrangement Cross Reference	57
Environmental and Special Considerations	58
Connection Diagrams	59,60
Automatic Voltage Regulator Features	61
Service Parts	62,63
Terms and Conditions	64-66
Freight Allowance and One Day Service Programs	67
Warnings/Cautions	68
Product Photos	back cover

**60
Hertz****4-Pole,
Three Phase****240Y or 480Y Volts
(12 Leads)**1800 RPM
NEMA Class H Insulation
40°C Ambient
0.8 Power Factor Lagging
Shunt (Non-PMG) Excitation
SE350 AVR**MAGNAPLUS** Standard Models

Base Model	Net Wt. (lbs.)	No. of Leads ^④	Voltage	Bolt-on PMG Option Avail.	kW Rating @ Designated NEMA Rise					List Price
					Continuous			Standby		
					NEMA B 80°C R/R	NEMA F 105°C R/R	NEMA H 125°C R/R	NEMA F 130°C R/R	NEMA H 150°C R/R	
281CSL1502	220	12	240Y/480Y	No	10.5	12	13	13	14	\$2,670
282PSL1703 ^③	240	12	240Y/480Y	②	11.5	13.5	14.5	15	15.5	\$2,810
282CSL1504	250	12	240Y/480Y	No	15	17.5	18	18	19	\$2,955
282CSL1505	275	12	240Y/480Y	No	20	22	24	24	25	\$3,175
283CSL1506	310	12	240Y/480Y	No	22	26	28	28	30	\$3,535
283CSL1507	350	12	240Y/480Y	No	27	31	33	33	35	\$3,820
284CSL1508	405	12	240Y/480Y	No	30	36	40	40	42	\$4,180
284CSL1542	420	12	240Y/480Y	No	34	40	43	43	46	\$4,335
361CSL1600 ^①	518	12	240Y/480Y	Yes	40	45	48	48	50	\$4,390
361CSL1601 ^①	569	12	240Y/480Y	Yes	49	55	60	60	65	\$4,760
361CSL1602 ^①	620	12	240Y/480Y	Yes	58	65	70	70	76	\$5,405
362CSL1604 ^①	706	12	240Y/480Y	Yes	75	84	90	90	95	\$5,840
362CSL1606 ^①	796	12	240Y/480Y	Yes	80	96	105	105	113	\$6,700
363CSL1607 ^①	943	12	240Y/480Y	Yes	110	125	135	135	150	\$7,210
431CSL6202 ^①	1220	12	240Y/480Y	Yes	125	142	151	155	160	\$8,145
431CSL6204 ^①	1310	12	240Y/480Y	Yes	143	170	180	181	190	\$8,940
431CSL6206 ^①	1415	12	240Y/480Y	Yes	165	200	211	215	225	\$9,890
431CSL6208 ^①	1455	12	240Y/480Y	Yes	180	211	226	230	240	\$10,450
432CSL6210 ^①	1685	12	240Y/480Y	Yes	220	260	275	280	291	\$11,035
432CSL6212 ^①	1760	12	240Y/480Y	Yes	230	275	300	300	310	\$12,480
433CSL6216 ^①	2235	12	240Y/480Y	Yes	280	342	375	380	400	\$13,990
433CSL6220 ^①	2245	12	240Y/480Y	Yes	310	375	403	415	430	\$14,845

MAGNAPLUS Alternate Models^③

281PSL1722	225	12	240Y/480Y	②	8.8	10	11	11	12	\$2,670
282PSL1704	270	12	240Y/480Y	②	12.5	15	16.5	16.5	17.5	\$2,955
282PSL1705	295	12	240Y/480Y	②	17	20	21	21	22	\$3,175
283PSL1706	336	12	240Y/480Y	②	22	25	27	27	29	\$3,535
283PSL1707	366	12	240Y/480Y	②	25	30	33	33	35	\$3,820
284PSL1708	405	12	240Y/480Y	Yes	30	32	35	35	40	\$4,180
284PSL1742	436	12	240Y/480Y	Yes	32	36	40	40	45	\$4,335
285PSL1700	480	12	240Y/480Y	Yes	38	43	45	45	50	\$4,390
286PSL1701	600	12	240Y/480Y	Yes	44	52	58	58	62	\$4,760
287PSL1702	670	12	240Y/480Y	Yes	50	58	62	62	67	\$5,405

① 361 to 433 PSL (single bearing) or PDL (double bearing) models are the alternate to CSL models and have equivalent performance and dimensions.

② PMG Option available as build-up only.

③ Specialty and two bearing orders utilize these windings in place of 280 frame CSL models.

④ All MagnaPlus models have linkboard as standard.

Notes A, B, C, D, E, and F on page 51 apply to this page.

1800 RPM
NEMA Class H Insulation
40°C Ambient
0.8 Power Factor Lagging
DVR®2000E+ AVR with PMG Excitation

**240Y or 480Y Volts
(10-12 Leads)
480Y Volts (4-6 Leads)**

**4-Pole,
Three Phase**

**60
Hertz**

MAGNAMAX^{DVR}

Base Model	Net Wt. (lbs.)	No. of Leads	Voltage	kW Rating @ Designated NEMA Rise					List Price
				Continuous			Standby		
				NEMA B 80°C R/R	NEMA F 105°C R/R	NEMA H 125°C R/R	NEMA F 130°C R/R	NEMA H 150°C R/R	
431RSL4005	1280	12	240Y/480Y	126	145	154	155	160	\$9,370
431RSL4007	1370	12	240Y/480Y	140	165	175	175	185	\$9,805
432RSL4009	1550	12	240Y/480Y	172	203	215	215	226	\$10,385
432RSL4011	1570	12	240Y/480Y	192	221	231	231	250	\$10,885
432RSL4013	1600	12	240Y/480Y	200	235	250	250	263	\$11,180
432RSL4015	1810	12	240Y/480Y	230	275	285	285	300	\$11,975
432RSL4017	1830	12	240Y/480Y	230	275	292	300	310	\$13,340
433RSL4019	2340	12	240Y/480Y	305	350	375	375	415	\$14,845
433RSL4021	2365	12	240Y/480Y	330	380	405	405	440	\$15,725
572RSL4024	2730	10	240Y/480Y	380	450	475	475	505	\$17,140
572RSL4025	2730	12	240Y/480Y	380	450	475	475	505	\$17,435
572RSL4027	2840	12	240Y/480Y	440	500	515	515	560	\$17,735
572RSL4028	3050	10	240Y/480Y	445	535	560	560	610	\$19,470
572RSL4029	3050	12	240Y/480Y	445	535	560	560	610	\$19,750
572RSL4030	3110	10	240Y/480Y	485	575	600	600	645	\$20,195
572RSL4031	3110	12	240Y/480Y	485	575	600	600	645	\$20,480
573RSL4032	3400	10	240Y/480Y	570	680	700	700	765	\$23,500
573RSL4033	3400	12	240Y/480Y	570	680	700	700	765	\$23,930
573RSL4034	3620	10	240Y/480Y	585	710	750	750	810	\$25,665
573RSL4035	3620	12	240Y/480Y	585	710	750	750	810	\$26,095
574RSL4036	4080	10	240Y/480Y	670	800	825	825	900	\$27,395
574RSL4037	4080	12	240Y/480Y	670	800	825	825	900	\$27,835
574RSL4038	4240	4	480Y Only	720	860	915	920	970	\$28,835
575RSL4044	5000	4 Bars	480Y Only	800	975	1050	1060	1130	\$32,310
741RSL4045	5490	12	240Y/480Y	865	1030	1080	1100	1100	\$35,765
740RSL4046	5200	4 Bars	480Y Only	950	1120	1200	1220	1250	\$37,930
742RSL4048	6300	4 Bars	480Y Only	1000	1200	1260	1300	1300	\$41,825
742RSL4049	6300	12	240Y/480Y	1000	1200	1260	1300	1300	\$44,710
742RSL4050	7230	4 Bars	480Y Only	1220	1430	1500	1500	1520	\$45,715
743RSL4052	7800	4 Bars	480Y Only	1310	1600	1700	1750	1750	\$53,355
744RSL4054	8600	4 Bars	480Y Only	1500	1850	1960	2000	2000	\$57,680
744RSL4056	9740	4 Bars	480Y Only	1700	2010	2160	2210	2260	\$64,890
744RSL4058	9740	4 Bars	480Y Only	1760	2100	2270	2320	2370	\$67,775
Form Wound Coil Designs									
744FSL4060	7300	4 Bars	480Y Only	1200	1430	1500	1500	1500	\$51,915
744FSL4062	8300	4 Bars	480Y Only	1500	1800	1900	1900	1900	\$62,010

MAGNAPOWER[®] ①②

1020FDL1100	15000	6	480Y Only	1750	2000	2250	2250	2250	\$149,250
1020FDL1102	15900	6	480Y Only	2000	2250	2500	2500	2500	\$164,400
1020FDL1104	16300	6	480Y Only	2160	2510	2620	2680	2730	\$167,695
1020FDL1106	17000	6	480Y Only	2250	2710	2800	2800	2800	\$172,330
1020FDL1108	17400	6	480Y Only	2340	2800	2900	3000	3000	\$207,660
1030FDL1110	20000	6	480Y Only	2530	3080	3260	3350	3350	\$238,760

① All 1000 frame generators have 4 bus bars, with the capability of differential protection.

② All 1000 frame generators incorporate form wound coils and VPI insulation systems.

Notes A, B, C, D, E, and F on page 51 apply to this page.

**60
Hertz****4-Pole,
Three Phase****208Y or 416Y Volts
(12 Leads)
240 or 120 Volts Delta
(12 Leads)**1800 RPM
NEMA Class H Insulation
40°C Ambient
0.8 Power Factor Lagging
Shunt (Non-PMG) Excitation
SE350 AVR**MAGNAPLUS®** Standard Models

Base Model	Net Wt. (lbs.)	No. of Leads ^④	Voltage	Bolt-on PMG Option Avail.	kW Rating @ Designated NEMA Rise					List Price
					Continuous			Standby		
					NEMA B 80°C R/R	NEMA F 105°C R/R	NEMA H 125°C R/R	NEMA F 130°C R/R	NEMA H 150°C R/R	
281CSL1502	220	12	208Y/416Y	No	9.5	10	11	11	12	\$2,670
282PSL1703 ^③	240	12	208Y/416Y	②	11	12.5	13	13.5	14	\$2,810
282CSL1504	250	12	208Y/416Y	No	13.5	16	17	17	17.5	\$2,955
282CSL1505	275	12	208Y/416Y	No	19	21	22	22	23	\$3,175
283CSL1506	310	12	208Y/416Y	No	20	24	26	26	27	\$3,535
283CSL1507	350	12	208Y/416Y	No	24	27	30	30	32	\$3,820
284CSL1508	405	12	208Y/416Y	No	30	35	38	38	40	\$4,180
284CSL1542	420	12	208Y/416Y	No	32	36	40	40	41	\$4,335
361CSL1600 ^①	518	12	208Y/416Y	Yes	35	40	42	42	45	\$4,390
361CSL1601 ^①	569	12	208Y/416Y	Yes	45	50	55	55	58	\$4,760
361CSL1602 ^①	620	12	208Y/416Y	Yes	53	60	65	65	68	\$5,405
362CSL1604 ^①	706	12	208Y/416Y	Yes	65	72	80	80	85	\$5,840
362CSL1606 ^①	796	12	208Y/416Y	Yes	80	90	100	100	105	\$6,700
363CSL1607 ^①	943	12	208Y/416Y	Yes	100	110	125	125	135	\$7,210
431CSL6202 ^①	1220	12	208Y/416Y	Yes	125	140	147	151	155	\$8,145
431CSL6204 ^①	1310	12	208Y/416Y	Yes	142	165	175	176	182	\$8,940
431CSL6206 ^①	1415	12	208Y/416Y	Yes	170	191	202	210	217	\$9,890
431CSL6208 ^①	1455	12	208Y/416Y	Yes	176	203	216	225	227	\$10,450
432CSL6210 ^①	1685	12	208Y/416Y	Yes	220	260	275	280	287	\$11,035
432CSL6212 ^①	1760	12	208Y/416Y	Yes	225	260	276	280	300	\$12,480
433CSL6216 ^①	2235	12	208Y/416Y	Yes	290	343	366	375	387	\$13,990
433CSL6220 ^①	2245	12	208Y/416Y	Yes	315	362	385	400	417	\$14,845

MAGNAPLUS® Alternate Models^③

281PSL1722	225	12	208Y/416Y	②	10	11	12	12	12.5	\$2,670
282PSL1704	270	12	208Y/416Y	②	12.5	15	16	16	17.5	\$2,955
282PSL1705	295	12	208Y/416Y	②	17	20	21	21	22	\$3,175
283PSL1706	336	12	208Y/416Y	②	21	23	25	25	28	\$3,535
283PSL1707	366	12	208Y/416Y	②	24	28	30	30	33	\$3,820
284PSL1708	405	12	208Y/416Y	Yes	30	32	35	35	40	\$4,180
284PSL1742	436	12	208Y/416Y	Yes	32	36	40	40	42	\$4,335
285PSL1700	480	12	208Y/416Y	Yes	36	40	45	45	47	\$4,390
286PSL1701	600	12	208Y/416Y	Yes	42	50	55	55	58	\$4,760
287PSL1702	670	12	208Y/416Y	Yes	48	55	60	60	63	\$5,405

^① 361 to 433 PSL (single bearing) or PDL (double bearing) models are the alternate to CSL models and have equivalent performance and dimensions.^② PMG Option available as build-up only.^③ Specialty and two bearing orders utilize these windings in place of 280 frame CSL models.^④ All MagnaPlus models have linkboard as standard.

Notes A, B, C, D, E, and F on page 51 apply to this page.

1800 RPM
 NEMA Class H Insulation
 40°C Ambient
 0.8 Power Factor Lagging
 DVR®2000E+ AVR with PMG Excitation

208Y or 416Y Volts (10-12 Leads)
416Y Volts (4 Leads)
240 or 120 Volts Delta (12 Leads)

**4-Pole,
 Three Phase**

**60
 Hertz**

MAGNAMAX^{DVR}

Base Model	Net Wt. (lbs.)	No. of Leads	Voltage	kW Rating @ Designated NEMA Rise					List Price
				Continuous			Standby		
				NEMA B 80°C R/R	NEMA F 105°C R/R	NEMA H 125°C R/R	NEMA F 130°C R/R	NEMA H 150°C R/R	
431RSL4005	1280	12	208Y/416Y	118	132	138	138	138	\$9,370
431RSL4007	1370	12	208Y/416Y	132	150	160	160	168	\$9,805
432RSL4009	1550	12	208Y/416Y	166	187	200	200	200	\$10,385
432RSL4011	1570	12	208Y/416Y	183	207	219	221	221	\$10,885
432RSL4013	1600	12	208Y/416Y	193	219	231	235	250	\$11,180
432RSL4015	1810	12	208Y/416Y	232	262	262	262	262	\$11,975
432RSL4017	1830	12	208Y/416Y	238	275	287	287	310	\$13,340
433RSL4019	2340	12	208Y/416Y	290	325	350	350	360	\$14,845
433RSL4021	2365	12	208Y/416Y	315	355	375	380	400	\$15,725
572RSL4024	2730	10	208Y/416Y	385	435	440	440	450	\$17,140
572RSL4025	2730	12	208Y/416Y	385	435	440	440	450	\$17,435
572RSL4027	2840	12	208Y/416Y	400	445	470	475	505	\$17,735
572RSL4028	3050	10	208Y/416Y	450	510	525	525	535	\$19,470
572RSL4029	3050	12	208Y/416Y	450	510	525	525	535	\$19,750
572RSL4030	3110	10	208Y/416Y	460	525	555	565	600	\$20,195
572RSL4031	3110	12	208Y/416Y	460	525	555	565	600	\$20,480
573RSL4032	3400	10	208Y/416Y	570	650	685	700	725	\$23,500
573RSL4033	3400	12	208Y/416Y	570	650	685	700	725	\$23,930
573RSL4034	3620	10	208Y/416Y	590	680	720	725	725	\$25,665
573RSL4035	3620	12	208Y/416Y	590	680	720	725	725	\$26,095
574RSL4036	4080	10	208Y/416Y	630	725	770	785	825	\$27,395
574RSL4037	4080	12	208Y/416Y	630	725	770	785	825	\$27,835
574RSL4038	4240	4	416Y Only	675	770	820	835	885	\$28,835
575RSL4044	5000	4 Bars	416Y Only	760	890	950	975	1040	\$32,310
741RSL4045	5490	12	208Y/416Y	810	920	970	1000	1020	\$35,765
740RSL4046	5200	4 Bars	416Y Only	880	1020	1090	1110	1180	\$37,930
742RSL4048	6300	4 Bars	416Y Only	950	1100	1160	1180	1250	\$41,825
742RSL4049	6300	12	208Y/416Y	950	1100	1160	1180	1250	\$44,710
742RSL4050	7230	4 Bars	416Y Only	1110	1270	1340	1370	1410	\$45,715
743RSL4052	7800	4 Bars	416Y Only	1400	1610	1610	1610	1620	\$53,355
744RSL4054	8600	4 Bars	416Y Only	1420	1680	1800	1840	1840	\$57,680
744RSL4056	9740	4 Bars	416Y Only	1520	1780	1900	1950	2000	\$64,890
744RSL4058	9740	4 Bars	416Y Only	1640	1920	2050	2090	2240	\$67,775
Form Wound Coil Designs									
744FSL4060	7300	4 Bars	416Y Only	1190	1380	1440	1440	1440	\$51,915
744FSL4062	8300	4 Bars	416Y Only	1510	1750	1830	1830	1830	\$62,010

Notes A, B, C, D, E, and F on page 51 apply to this page.

**60
Hertz****4-Pole,
Three Phase****220Y or 440Y Volts
(12 Leads)**1800 RPM
NEMA Class H Insulation
40°C Ambient
0.8 Power Factor Lagging
Shunt (Non-PMG) Excitation
SE350 AVR**MAGNAPLUS®** Standard Models

Base Model	Net Wt. (lbs.)	No. of Leads ^④	Voltage	Bolt-on PMG Option Avail.	kW Rating @ Designated NEMA Rise					List Price
					Continuous			Standby		
					NEMA B 80°C R/R	NEMA F 105°C R/R	NEMA H 125°C R/R	NEMA F 130°C R/R	NEMA H 150°C R/R	
281CSL1502	220	12	220Y/440Y	No	10	11	11.5	11.5	12.5	\$2,670
282PSL1703 ^③	240	12	220Y/440Y	②	11.5	13.5	14.5	15	15	\$2,810
282CSL1504	250	12	220Y/440Y	No	14	16.5	17.5	17.5	18.5	\$2,955
282CSL1505	275	12	220Y/440Y	No	19	21	23	23	24	\$3,175
283CSL1506	310	12	220Y/440Y	No	21	25	27	27	28	\$3,535
283CSL1507	350	12	220Y/440Y	No	25	28	31	31	33	\$3,820
284CSL1508	405	12	220Y/440Y	No	30	35	39	39	41	\$4,180
284CSL1542	420	12	220Y/440Y	No	33	37	41	41	43	\$4,335
361CSL1600 ^①	518	12	220Y/440Y	Yes	37	42	45	45	47	\$4,390
361CSL1601 ^①	569	12	220Y/440Y	Yes	48	53	58	58	61	\$4,760
361CSL1602 ^①	620	12	220Y/440Y	Yes	56	63	68	68	71	\$5,405
362CSL1604 ^①	706	12	220Y/440Y	Yes	68	76	84	84	89	\$5,840
362CSL1606 ^①	796	12	220Y/440Y	Yes	82	92	102	102	107	\$6,700
363CSL1607 ^①	943	12	220Y/440Y	Yes	105	115	130	130	140	\$7,210
431CSL6202 ^①	1220	12	220Y/440Y	Yes	125	143	151	153	160	\$8,145
431CSL6204 ^①	1310	12	220Y/440Y	Yes	143	167	177	180	185	\$8,940
431CSL6206 ^①	1415	12	220Y/440Y	Yes	172	200	212	220	226	\$9,890
431CSL6208 ^①	1455	12	220Y/440Y	Yes	180	210	221	225	233	\$10,450
432CSL6210 ^①	1685	12	220Y/440Y	Yes	221	261	278	283	292	\$11,035
432CSL6212 ^①	1760	12	220Y/440Y	Yes	227	266	285	290	300	\$12,480
433CSL6216 ^①	2235	12	220Y/440Y	Yes	290	348	372	380	395	\$13,990
433CSL6220 ^①	2245	12	220Y/440Y	Yes	317	375	397	410	423	\$14,845

MAGNAPLUS® Alternate Models^③

281PSL1722	225	12	220Y/440Y	②	10	11	12	12	12.5	\$2,670
282PSL1704	270	12	220Y/440Y	②	12.5	15	16.2	16.2	17.5	\$2,955
282PSL1705	295	12	220Y/440Y	②	17	20	21	21	22	\$3,175
283PSL1706	336	12	220Y/440Y	②	21	24	26	26	28	\$3,535
283PSL1707	366	12	220Y/440Y	②	24	29	31	31	34	\$3,820
284PSL1708	405	12	220Y/440Y	Yes	30	32	35	35	40	\$4,180
284PSL1742	436	12	220Y/440Y	Yes	32	36	40	40	43	\$4,335
285PSL1700	480	12	220Y/440Y	Yes	37	41	45	45	48	\$4,390
286PSL1701	600	12	220Y/440Y	Yes	43	50	56	56	60	\$4,760
287PSL1702	670	12	220Y/440Y	Yes	49	56	61	61	65	\$5,405

① 361 to 433 PSL (single bearing) or PDL (double bearing) models are the alternate to CSL models and have equivalent performance and dimensions.

② PMG Option available as build-up only.

③ Specialty and two bearing orders utilize these windings in place of 280 frame CSL models.

④ All MagnaPlus models have linkboard as standard.

Notes A, B, C, D, E, and F on page 51 apply to this page.

1800 RPM
 NEMA Class H Insulation
 40°C Ambient
 0.8 Power Factor Lagging
 DVR®2000E+ AVR with PMG Excitation

**220Y or 440Y Volts
 (10-12 Leads)
 440Y Volts (4 Leads)**

**4-Pole,
 Three Phase**

**60
 Hertz**



Base Model	Net Wt. (lbs.)	No. of Leads	Voltage	kW Rating @ Designated NEMA Rise					List Price
				Continuous			Standby		
				NEMA B 80°C R/R	NEMA F 105°C R/R	NEMA H 125°C R/R	NEMA F 130°C R/R	NEMA H 150°C R/R	
431RSL4005	1280	12	220Y/440Y	126	140	146	146	146	\$9,370
431RSL4007	1370	12	220Y/440Y	139	156	165	168	177	\$9,805
432RSL4009	1550	12	220Y/440Y	178	201	207	207	207	\$10,385
432RSL4011	1570	12	220Y/440Y	191	217	230	235	235	\$10,885
432RSL4013	1600	12	220Y/440Y	202	230	240	240	256	\$11,180
432RSL4015	1810	12	220Y/440Y	243	276	277	277	277	\$11,975
432RSL4017	1830	12	220Y/440Y	245	280	295	295	315	\$13,340
433RSL4019	2340	12	220Y/440Y	300	335	360	360	375	\$14,845
433RSL4021	2365	12	220Y/440Y	315	360	380	390	410	\$15,725
572RSL4024	2730	10	220Y/440Y	400	455	465	465	465	\$17,140
572RSL4025	2730	12	220Y/440Y	400	455	465	465	465	\$17,435
572RSL4027	2840	12	220Y/440Y	410	460	485	500	520	\$17,735
572RSL4028	3050	10	220Y/440Y	470	535	560	560	560	\$19,470
572RSL4029	3050	12	220Y/440Y	470	535	560	560	560	\$19,750
572RSL4030	3110	10	220Y/440Y	480	545	580	590	625	\$20,195
572RSL4031	3110	12	220Y/440Y	480	545	580	590	625	\$20,480
573RSL4032	3400	10	220Y/440Y	595	680	725	730	765	\$23,500
573RSL4033	3400	12	220Y/440Y	595	680	725	730	765	\$23,930
573RSL4034	3620	10	220Y/440Y	620	715	760	765	765	\$25,665
573RSL4035	3620	12	220Y/440Y	620	715	760	765	765	\$26,095
574RSL4036	4080	10	220Y/440Y	660	760	805	820	875	\$27,395
574RSL4037	4080	12	220Y/440Y	660	760	805	820	875	\$27,835
574RSL4038	4240	4	440Y Only	705	810	860	875	930	\$28,835
575RSL4044	5000	4 Bars	440Y Only	785	925	995	1010	1090	\$32,310
741RSL4045	5490	12	220Y/440Y	840	960	1020	1030	1070	\$35,765
740RSL4046	5200	4 Bars	440Y Only	915	1070	1140	1160	1240	\$37,930
742RSL4048	6300	4 Bars	440Y Only	1000	1140	1220	1240	1280	\$41,825
742RSL4049	6300	12	220Y/440Y	1000	1140	1220	1240	1280	\$44,710
742RSL4050	7230	4 Bars	440Y Only	1160	1340	1420	1450	1500	\$45,715
743RSL4052	7800	4 Bars	440Y Only	1420	1680	1710	1710	1710	\$53,355
744RSL4054	8600	4 Bars	440Y Only	1460	1750	1880	1920	1920	\$57,680
744RSL4056	9740	4 Bars	440Y Only	1590	1860	1990	2030	2100	\$64,890
744RSL4058	9740	4 Bars	440Y Only	1690	1990	2140	2180	2340	\$67,775
Form Wound Coil Designs									
744FSL4060	7300	4 Bars	440Y Only	1210	1400	1460	1460	1460	\$51,915
744FSL4062	8300	4 Bars	440Y Only	1530	1780	1860	1860	1860	\$62,010

Notes A, B, C, D, E, and F on page 51 apply to this page.



**60
Hertz**

**4-Pole,
Three Phase,
Broad Range**

**208Y-240Y or 416Y-480Y Volts
(12 Leads)
240 or 120 Volts Delta
(12 Leads)**

1800 RPM
NEMA Class H Insulation
40°C Ambient
0.8 Power Factor Lagging
Shunt (Non-PMG) Excitation
SE350 AVR

MAGNAPLUS Standard Models

Base Model	Net Wt. (lbs.)	No. of Leads ^①	Voltage	Bolt-on PMG Option Avail.	kW Rating @ Designated NEMA Rise					List Price
					Continuous			Standby		
					NEMA B 80°C R/R	NEMA F 105°C R/R	NEMA H 125°C R/R	NEMA F 130°C R/R	NEMA H 150°C R/R	
281CSL1502	220	12	208Y-240Y/416Y-480Y	No	9.5	10	11	11	12	\$2,670
282PSL1703 ^②	240	12	208Y-240Y/416Y-480Y	②	11	12.5	13	13.5	14	\$2,810
282CSL1504	250	12	208Y-240Y/416Y-480Y	No	13.5	16	17	17	17.5	\$2,955
282CSL1505	275	12	208Y-240Y/416Y-480Y	No	19	21	22	22	23	\$3,175
283CSL1506	310	12	208Y-240Y/416Y-480Y	No	20	24	26	26	27	\$3,535
283CSL1507	350	12	208Y-240Y/416Y-480Y	No	24	27	30	30	32	\$3,820
284CSL1508	405	12	208Y-240Y/416Y-480Y	No	30	35	38	38	40	\$4,180
284CSL1542	420	12	208Y-240Y/416Y-480Y	No	32	36	40	40	41	\$4,335
361CSL1600 ^①	518	12	208Y-240Y/416Y-480Y	Yes	35	40	42	42	45	\$4,390
361CSL1601 ^①	569	12	208Y-240Y/416Y-480Y	Yes	45	50	55	55	58	\$4,760
361CSL1602 ^①	620	12	208Y-240Y/416Y-480Y	Yes	53	60	65	65	68	\$5,405
362CSL1604 ^①	706	12	208Y-240Y/416Y-480Y	Yes	65	72	80	80	85	\$5,840
362CSL1606 ^①	796	12	208Y-240Y/416Y-480Y	Yes	80	90	100	100	105	\$6,700
363CSL1607 ^①	943	12	208Y-240Y/416Y-480Y	Yes	100	110	125	125	135	\$7,210
431CSL6202 ^①	1220	12	208Y-240Y/416Y-480Y	Yes	125	140	147	151	155	\$8,145
431CSL6204 ^①	1310	12	208Y-240Y/416Y-480Y	Yes	142	165	175	176	182	\$8,940
431CSL6206 ^①	1415	12	208Y-240Y/416Y-480Y	Yes	165	191	202	210	217	\$9,890
431CSL6208 ^①	1455	12	208Y-240Y/416Y-480Y	Yes	176	203	216	225	227	\$10,450
432CSL6210 ^①	1685	12	208Y-240Y/416Y-480Y	Yes	211	255	275	280	287	\$11,035
432CSL6212 ^①	1760	12	208Y-240Y/416Y-480Y	Yes	225	260	276	280	300	\$12,480
433CSL6216 ^①	2235	12	208Y-240Y/416Y-480Y	Yes	280	342	366	375	387	\$13,990
433CSL6220 ^①	2245	12	208Y-240Y/416Y-480Y	Yes	310	362	385	400	417	\$14,845

MAGNAPLUS Alternate Models^③

281PSL1722	225	12	208Y-240Y/416Y-480Y	②	8.8	10	11	11	12	\$2,670
282PSL1704	270	12	208Y-240Y/416Y-480Y	②	12.5	15	16	16	17.5	\$2,955
282PSL1705	295	12	208Y-240Y/416Y-480Y	②	17	20	21	21	22	\$3,175
283PSL1706	336	12	208Y-240Y/416Y-480Y	②	21	23	25	25	28	\$3,535
283PSL1707	366	12	208Y-240Y/416Y-480Y	②	24	28	30	30	33	\$3,820
284PSL1708	405	12	208Y-240Y/416Y-480Y	Yes	30	32	35	35	40	\$4,180
284PSL1742	436	12	208Y-240Y/416Y-480Y	Yes	32	36	40	40	42	\$4,335
285PSL1700	480	12	208Y-240Y/416Y-480Y	Yes	36	40	45	45	47	\$4,390
286PSL1701	600	12	208Y-240Y/416Y-480Y	Yes	42	50	55	55	58	\$4,760
287PSL1702	670	12	208Y-240Y/416Y-480Y	Yes	48	55	60	60	63	\$5,405

① 361 to 433 PSL (single bearing) or PDL (double bearing) models are the alternate to CSL models and have equivalent performance and dimensions.

② PMG Option available as build-up only.

③ Specialty and two bearing orders utilize these windings in place of 280 frame CSL models.

④ All MagnaPlus models have linkboard as standard.

Notes A, B, C, D, E, and F on page 51 apply to this page.

1800 RPM
 NEMA Class H Insulation
 40°C Ambient
 0.8 Power Factor Lagging
 DVR®2000E+ AVR with PMG Excitation

208Y-240Y or 416Y-480Y Volts
 (10-12 Leads)
240 or 120 Volts Delta
 (12 Leads)

**4-Pole,
 Three Phase,
 Broad Range**

**60
 Hertz**

MAGNAMAX[®]DVR[®]

Base Model	Net Wt. (lbs.)	No. of Leads	Voltage	kW Rating @ Designated NEMA Rise					List Price
				Continuous			Standby		
				NEMA B 80°C R/R	NEMA F 105°C R/R	NEMA H 125°C R/R	NEMA F 130°C R/R	NEMA H 150°C R/R	
431RSL4005	1280	12	208Y-240Y/416Y-480Y	118	132	138	138	138	\$9,370
431RSL4007	1370	12	208Y-240Y/416Y-480Y	132	150	160	160	168	\$9,805
432RSL4009	1550	12	208Y-240Y/416Y-480Y	166	187	200	200	200	\$10,385
432RSL4011	1570	12	208Y-240Y/416Y-480Y	183	207	219	221	221	\$10,885
432RSL4013	1600	12	208Y-240Y/416Y-480Y	193	219	231	235	250	\$11,180
432RSL4015	1810	12	208Y-240Y/416Y-480Y	230	262	262	262	262	\$11,975
432RSL4017	1830	12	208Y-240Y/416Y-480Y	230	275	287	287	310	\$13,340
433RSL4019	2340	12	208Y-240Y/416Y-480Y	290	325	350	350	360	\$14,845
433RSL4021	2365	12	208Y-240Y/416Y-480Y	305	345	365	370	400	\$15,725
572RSL4024	2730	10	208Y-240Y/416Y-480Y	380	435	440	440	450	\$17,140
572RSL4025	2730	12	208Y-240Y/416Y-480Y	380	435	440	440	450	\$17,435
572RSL4027	2840	12	208Y-240Y/416Y-480Y	400	445	470	475	505	\$17,735
572RSL4028	3050	10	208Y-240Y/416Y-480Y	445	510	525	525	535	\$19,470
572RSL4029	3050	12	208Y-240Y/416Y-480Y	445	510	525	525	535	\$19,750
572RSL4030	3110	10	208Y-240Y/416Y-480Y	460	525	555	565	600	\$20,195
572RSL4031	3110	12	208Y-240Y/416Y-480Y	460	525	555	565	600	\$20,480
573RSL4032	3400	10	208Y-240Y/416Y-480Y	570	650	685	700	725	\$23,500
573RSL4033	3400	12	208Y-240Y/416Y-480Y	570	650	685	700	725	\$23,930
573RSL4034	3620	10	208Y-240Y/416Y-480Y	585	680	720	725	725	\$25,665
573RSL4035	3620	12	208Y-240Y/416Y-480Y	585	680	720	725	725	\$26,095
574RSL4036	4080	10	208Y-240Y/416Y-480Y	630	725	770	785	825	\$27,395
574RSL4037	4080	12	208Y-240Y/416Y-480Y	630	725	770	785	825	\$27,835
741RSL4045	5490	12	208Y-240Y/416Y-480Y	810	920	970	1000	1020	\$35,765
742RSL4049	6300	12	208Y-240Y/416Y-480Y	950	1100	1160	1180	1250	\$44,710

Notes A, B, C, D, E, and F on page 51 apply to this page.

**60
Hertz****4-Pole,
Three Phase**
(Standard 480 Volt Designs)**190Y or 380Y Volts**
(12 Leads)
220 or 110 Volts Delta
(12 Leads)1800 RPM
NEMA Class H Insulation
40°C Ambient
0.8 Power Factor Lagging
Shunt (Non-PMG) Excitation
SE350 AVR**MAGNAPLUS** Standard Models

Base Model	Net Wt. (lbs.)	No. of Leads ^④	Voltage	Bolt-on PMG Option Avail.	kW Rating @ Designated NEMA Rise					List Price
					Continuous			Standby		
					NEMA B 80°C R/R	NEMA F 105°C R/R	NEMA H 125°C R/R	NEMA F 130°C R/R	NEMA H 150°C R/R	
281CSL1502	220	12	190Y/380Y	No	8.5	9	10	10	11	\$2,670
282PSL1703 ^③	240	12	190Y/380Y	Ⓜ	10	11.5	12.5	12.5	13	\$2,810
282CSL1504	250	12	190Y/380Y	No	12	14.5	15.5	15.5	16	\$2,955
282CSL1505	275	12	190Y/380Y	No	17.5	19	20	20	21	\$3,175
283CSL1506	310	12	190Y/380Y	No	18	22	23	23	24	\$3,535
283CSL1507	350	12	190Y/380Y	No	22	25	27	27	29	\$3,820
284CSL1508	405	12	190Y/380Y	No	27	32	35	35	36	\$4,180
284CSL1542	420	12	190Y/380Y	No	29	33	36	36	38	\$4,335
361CSL1600 ^①	518	12	190Y/380Y	Yes	32	36	38	38	41	\$4,390
361CSL1601 ^①	569	12	190Y/380Y	Yes	41	45	50	50	52	\$4,760
361CSL1602 ^①	620	12	190Y/380Y	Yes	48	55	60	60	62	\$5,405
362CSL1604 ^①	706	12	190Y/380Y	Yes	60	65	72	72	77	\$5,840
362CSL1606 ^①	796	12	190Y/380Y	Yes	72	81	90	90	95	\$6,700
363CSL1607 ^①	943	12	190Y/380Y	Yes	90	100	115	115	125	\$7,210
431CSL6202 ^①	1220	12	190Y/380Y	Yes	115	130	135	140	145	\$8,145
431CSL6204 ^①	1310	12	190Y/380Y	Yes	136	155	165	167	172	\$8,940
431CSL6206 ^①	1415	12	190Y/380Y	Yes	156	176	185	191	200	\$9,890
431CSL6208 ^①	1455	12	190Y/380Y	Yes	167	192	203	207	213	\$10,450
432CSL6210 ^①	1685	12	190Y/380Y	Yes	213	245	260	265	275	\$11,035
432CSL6212 ^①	1760	12	190Y/380Y	Yes	212	243	256	265	275	\$12,480
433CSL6216 ^①	2235	12	190Y/380Y	Yes	281	330	350	357	370	\$13,990
433CSL6220 ^①	2245	12	190Y/380Y	Yes	292	335	355	367	385	\$14,845

MAGNAPLUS Alternate Models^③

281PSL1722	225	12	190Y/380Y	Ⓜ	8.5	10	11	11	11.5	\$2,670
282PSL1704	270	12	190Y/380Y	Ⓜ	11.5	13.5	14.5	14.6	16	\$2,955
282PSL1705	295	12	190Y/380Y	Ⓜ	15	18	19	19	20	\$3,175
283PSL1706	336	12	190Y/380Y	Ⓜ	19	21	23	23	26	\$3,535
283PSL1707	366	12	190Y/380Y	Ⓜ	22	26	27	27	30	\$3,820
284PSL1708	405	12	190Y/380Y	Yes	27	29	32	32	37	\$4,180
284PSL1742	436	12	190Y/380Y	Yes	29	33	37	37	38	\$4,335
285PSL1700	480	12	190Y/380Y	Yes	33	37	41	41	43	\$4,390
286PSL1701	600	12	190Y/380Y	Yes	38	46	50	50	53	\$4,760
287PSL1702	670	12	190Y/380Y	Yes	44	50	55	55	58	\$5,405

See dedicated 380 Volt generators on page 12 for improved ratings and transient performance.

- ① 361 to 433 PSL (single bearing) or PDL (double bearing) models are the alternate to CSL models and have equivalent performance and dimensions.
 ② PMG Option available as build-up only.
 ③ Specialty and two bearing orders utilize these windings in place of 280 frame CSL models.
 ④ All MagnaPlus models have linkboard as standard.
 Notes A, B, C, D, E, and F on page 51 apply to this page.

1800 RPM
 NEMA Class H Insulation
 40°C Ambient
 0.8 Power Factor Lagging
 DVR®2000E+ AVR with PMG Excitation

190Y or 380Y Volts (10-12 Leads)
380Y Volts (4 Leads)
220 or 110 Volts Delta
 (12 Leads)

**4-Pole,
 Three Phase**
 (Standard 480 Volt Designs)

**60
 Hertz**

MAGNAMAX^{DVR}

Base Model	Net Wt. (lbs.)	No. of Leads	Voltage	kW Rating @ Designated NEMA Rise					List Price
				Continuous			Standby		
				NEMA B 80°C R/R	NEMA F 105°C R/R	NEMA H 125°C R/R	NEMA F 130°C R/R	NEMA H 150°C R/R	
431RSL4005	1280	12	190Y/380Y	109	122	122	122	122	\$9,370
431RSL4007	1370	12	190Y/380Y	121	136	136	136	136	\$9,805
432RSL4009	1550	12	190Y/380Y	152	170	170	170	170	\$10,385
432RSL4011	1570	12	190Y/380Y	169	190	190	190	190	\$10,885
432RSL4013	1600	12	190Y/380Y	180	200	200	200	200	\$11,180
432RSL4015	1810	12	190Y/380Y	217	240	240	240	240	\$11,975
432RSL4017	1830	12	190Y/380Y	225	255	255	255	255	\$13,340
433RSL4019	2340	12	190Y/380Y	275	305	305	305	305	\$14,845
433RSL4021	2365	12	190Y/380Y	280	315	315	315	315	\$15,725
572RSL4024	2730	10	190Y/380Y	350	400	400	400	400	\$17,140
572RSL4025	2730	12	190Y/380Y	350	400	400	400	400	\$17,435
572RSL4027	2840	12	190Y/380Y	360	405	405	405	405	\$17,735
572RSL4028	3050	10	190Y/380Y	415	470	470	470	470	\$19,470
572RSL4029	3050	12	190Y/380Y	415	470	470	470	470	\$19,750
572RSL4030	3110	10	190Y/380Y	425	485	485	485	485	\$20,195
572RSL4031	3110	12	190Y/380Y	425	485	485	485	485	\$20,480
573RSL4032	3400	10	190Y/380Y	525	595	595	595	595	\$23,500
573RSL4033	3400	12	190Y/380Y	525	595	595	595	595	\$23,930
573RSL4034	3620	10	190Y/380Y	545	625	625	625	625	\$25,665
573RSL4035	3620	12	190Y/380Y	545	625	625	625	625	\$26,095
574RSL4036	4080	10	190Y/380Y	590	670	670	670	670	\$27,395
574RSL4037	4080	12	190Y/380Y	590	670	670	670	670	\$27,835
574RSL4038	4240	4	380Y Only	620	705	705	705	705	\$28,835
575RSL4044	5000	4 Bars	380Y Only	720	830	830	830	830	\$32,310
741RSL4045	5490	12	190Y/380Y	740	840	840	840	840	\$35,765
740RSL4046	5200	4 Bars	380Y Only	825	945	945	945	945	\$37,930
742RSL4048	6300	4 Bars	380Y Only	900	1030	1030	1030	1030	\$41,825
742RSL4049	6300	12	190Y/380Y	900	1030	1030	1030	1030	\$44,710
742RSL4050	7230	4 Bars	380Y Only	1020	1160	1160	1160	1160	\$45,715
743RSL4052	7800	4 Bars	380Y Only	1290	1480	1480	1480	1480	\$53,355
744RSL4054	8600	4 Bars	380Y Only	1360	1590	1590	1590	1590	\$57,680
744RSL4056	9740	4 Bars	380Y Only	1430	1650	1750	1790	1850	\$64,890
744RSL4058	9740	4 Bars	380Y Only	1550	1790	1910	1950	2070	\$67,775
Form Wound Coil Designs									
744FSL4060	7300	4 Bars	380Y Only	1120	1280	1280	1280	1280	\$51,915
744FSL4062	8300	4 Bars	380Y Only	1430	1650	1650	1650	1650	\$62,010

See dedicated 380 Volt generators on page 12 for improved ratings and transient performance.

Notes A, B, C, D, E, and F on page 51 apply to this page.

**60
Hertz**

**4-Pole,
Three Phase,
Dedicated Design**

**380Y/219 Volts
(4 Leads)**

1800 RPM
NEMA Class H Insulation
40°C Ambient
0.8 Power Factor Lagging

MAGNAPLUS® Shunt (Non-PMG) Excitation

Base Model	Net Wt. (lbs.)	No. of Leads ①	Bolt-on PMG Option Avail.	Std. AVR	kW Rating @ Designated NEMA Rise					List Price
					Continuous			Standby		
					NEMA B 80°C R/R	NEMA F 105°C R/R	NEMA H 125°C R/R	NEMA F 130°C R/R	NEMA H 150°C R/R	
431PSL6230	1220	4	Yes	SE350	125	140	150	155	160	\$8,145
431PSL6232	1415	4	Yes	SE350	140	165	175	180	185	\$9,890
431PSL6234	1455	4	Yes	SE350	175	200	220	225	230	\$10,450
432PSL6236	1760	4	Yes	SE350	225	265	285	290	300	\$12,480
433PSL6238	2245	4	Yes	SE350	300	350	375	390	400	\$14,845

MAGNAMAX^{DVR}® PMG Excitation

Base Model	Net Wt. (lbs.)	No. of Leads	Std. AVR	kW Rating @ Designated NEMA Rise					List Price
				Continuous			Standby		
				NEMA B 80°C R/R	NEMA F 105°C R/R	NEMA H 125°C R/R	NEMA F 130°C R/R	NEMA H 150°C R/R	
431RSL4152	1280	4	DVR®2000E+	120	140	150	150	160	\$9,370
432RSL4154	1550	4	DVR®2000E+	165	185	200	200	200	\$10,385
432RSL4156	1830	4	DVR®2000E+	225	275	290	300	310	\$13,340
433RSL4158	2365	4	DVR®2000E+	300	345	370	370	400	\$14,845
572RSL4160	2730	4	DVR®2000E+	355	425	450	450	480	\$16,510
572RSL4162	2840	4	DVR®2000E+	425	485	500	500	525	\$17,735
573RSL4164	3400	4	DVR®2000E+	510	605	640	640	700	\$21,195
574RSL4166	4080	4	DVR®2000E+	670	800	830	830	900	\$27,395
574RSL4168	4240	4	DVR®2000E+	715	855	910	915	965	\$28,835
741RSL4170	5490	4 Bars	DVR®2000E+	850	1015	1065	1085	1085	\$33,595
742RSL4172	6300	4 Bars	DVR®2000E+	1000	1200	1260	1300	1300	\$41,825
743RSL4174	7800	4 Bars	DVR®2000E+	1260	1550	1650	1700	1700	\$53,355
744RSL4176	8600	4 Bars	DVR®2000E+	1500	1850	1950	2000	2000	\$57,680

① All MagnaPlus models have linkboard as standard.
Notes A, B, C, D, E, and F on page 51 apply to this page.

1800 RPM
NEMA Class H Insulation
40°C Ambient
0.8 Power Factor Lagging

600Y/346 Volts

4-Pole,
Three Phase,
Dedicated Design

60
Hertz

MAGNAPLUS®

Shunt (Non-PMG) Excitation

Expanded
Offering!

Base Model	Net Wt. (lbs.)	No. of Leads ^③	Bolt-on PMG Option Avail.	Std. AVR	kW Rating @ Designated NEMA Rise					List Price
					Continuous			Standby		
					NEMA B 80°C R/R	NEMA F 105°C R/R	NEMA H 125°C R/R	NEMA F 130°C R/R	NEMA H 150°C R/R	
281PSL5246	220	4	No	SE350	8.8	10	11	11	12	\$2,670
282PSL5247	240	4	No	SE350	11.5	13.5	14.5	15	15.5	\$2,810
282PSL5248	270	4	No	SE350	12.5	15	16.5	16.5	17.5	\$2,955
282PSL5249	295	4	No	SE350	17	20	21	21	22	\$3,175
283PSL5250	336	4	No	SE350	22	25	27	27	29	\$3,535
283PSL5251	366	4	No	SE350	25	30	33	33	35	\$3,820
284PSL5252	405	4	Yes	SE350	30	32	35	35	40	\$4,180
284PSL5253	436	4	Yes	SE350	32	36	40	40	45	\$4,335
285PSL5254	480	4	Yes	SE350	38	43	45	45	50	\$4,390
361PSL1632	518	4	Yes	SE350	40	45	48	48	50	\$4,390
361PSL1633	569	4	Yes	SE350	49	55	60	60	65	\$4,760
361PSL1634	620	4	Yes	SE350	58	65	70	70	76	\$5,405
362PSL1635	706	4	Yes	SE350	75	84	90	90	95	\$5,840
362PSL1636	796	4	Yes	SE350	80	96	105	105	113	\$6,700
363PSL1658	943	4	Yes	SE350	110	125	135	135	150	\$7,210
431PSL6240	1220	4	Yes	SE350	125	140	150	155	160	\$8,145
431PSL6242	1415	4	Yes	SE350	140	170	175	180	190	\$8,940
431PSL6243	1455	4	Yes	SE350	180	210	225	230	240	\$10,450
432PSL6246	1760	4	Yes	SE350	230	275	300	305	310	\$12,480
433PSL6248	2245	4	Yes	SE350	310	375	400	410	430	\$14,845

MAGNAMAX^{DVR}

PMG Excitation

Base Model	Net Wt. (lbs.)	No. of Leads	Std. AVR	kW Rating @ Designated NEMA Rise					List Price
				Continuous			Standby		
				NEMA B 80°C R/R	NEMA F 105°C R/R	NEMA H 125°C R/R	NEMA F 130°C R/R	NEMA H 150°C R/R	
431RSS4252	1280	4	DVR®2000E+	125	145	150	150	155	\$9,370
431RSS4254	1370	4	DVR®2000E+	135	160	165	175	175	\$9,805
432RSS4256	1550	4	DVR®2000E+	170	200	210	210	215	\$10,385
432RSS4258	1570	4	DVR®2000E+	185	215	225	225	245	\$10,885
432RSS4260	1600	4	DVR®2000E+	200	235	250	250	260	\$11,180
432RSS4264	1830	4	DVR®2000E+	225	275	290	300	310	\$13,340
433RSS4266	2365	4	DVR®2000E+	325	375	400	400	435	\$15,725
572RSS4270	2840	4	DVR®2000E+	420	475	500	510	540	\$17,735
572RSS4272	3110	4	DVR®2000E+	485	575	600	600	640	\$20,195
573RSS4274	3400	4	DVR®2000E+	565	640	700	700	725	\$23,500
573RSS4276	3620	4	DVR®2000E+	575	685	725	725	780	\$25,665
574RSS4278	4080	4	DVR®2000E+	700	825	875	875	900	\$27,395
574RSS4280	4240	4	DVR®2000E+	800	900	960	960	980	\$28,835
741RSS4282	5300	4 Bars	DVR®2000E+	765	950	1000	1040	1050	\$32,310
741RSS4284	5490	4 Bars	DVR®2000E+	865	1030	1080	1100	1100	\$33,595
742RSS4286	5950	4 Bars	DVR®2000E+	960	1100	1180	1200	1200	\$38,360
743RSS4288	7230	4 Bars	DVR®2000E+	1120	1330	1330	1400	1400	\$45,715
743RSS4290	7800	4 Bars	DVR®2000E+	1300	1550	1650	1700	1700	\$53,355
744RSS4292	8600	4 Bars	DVR®2000E+	1500	1850	1950	2000	2000	\$57,680

MAGNAPOWER® ①②

PMG Excitation

1020FDS1120	15430	6	DVR®2000E+	1750	2000	2250	2250	2250	\$158,200
1020FDS1122	15835	6	DVR®2000E+	2000	2250	2500	2500	2500	\$174,275
1020FDS1124	17850	6	DVR®2000E+	2250	2500	2800	2800	2800	\$182,715
1030FDS1126	19875	6	DVR®2000E+	2500	2800	3000	3000	3000	\$194,890
1030FDS1128	20000	6	DVR®2000E+	2500	3000	3250	3250	3250	\$213,410

① All 1000 frame generators have 4 bus bars, with the capability of differential protection.

② All 1000 frame generators incorporate form wound coils and VPI insulation systems.

③ All MagnaPlus models have linkboard as standard.

Notes A, B, C, D, E, and F on page 51 apply to this page.

**60
Hertz**

**4-Pole,
Single Phase**

**240/120 Volts (12 Leads)®
480/240 Volts (12 Leads)®
120 Volts Delta (12 Leads)**

1800 RPM
NEMA Class H Insulation
40°C Ambient

MAGNAPLUS® Standard Models③⑤, SE350 AVR with Shunt (Non-PMG) Excitation

Base Model	Net Wt. (lbs.)	Bolt-on PMG Option Avail.	kW Rating @ Designated NEMA Rise										List Price
			0.8 Power Factor Lagging					1.0 Power Factor					
			Continuous			Standby		Continuous			Standby		
			NEMA B 80°C R/R	NEMA F 105°C R/R	NEMA H 125°C R/R	NEMA F 130°C R/R	NEMA H 150°C R/R	NEMA B 80°C R/R	NEMA F 105°C R/R	NEMA H 125°C R/R	NEMA F 130°C R/R	NEMA H 150°C R/R	
281CSL1502	220	No	6.2	6.8	7.5	7.5	7.7	8	8.5	9.5	9.5	10	\$2,670
282PSL1703②	240	②	7	7.8	8.1	8.2	8.5	9.2	10	11	11	12	\$2,810
282CSL1504	250	No	8.7	9.5	10	10	11	11	12	13	13	14	\$2,955
282CSL1505	275	No	11	12	13	13	14	14	16	17	17	18	\$3,175
283CSL1506	310	No	13.5	15	16	16	17	17.5	19	20	20	22	\$3,535
283CSL1507	350	No	15.5	17	18	18	20	20	22	25	25	26	\$3,820
284CSL1508	405	No	20	22	24	25	26	25	29	31	31	33	\$4,180
284CSL1542	420	No	20	23	24	24	27	26	29	32	32	33	\$4,335
361CSL1600④	518	Yes	25	28	30	30	32	31	36	38	39	40	\$4,390
361CSL1601④	569	Yes	30	33	35	35	37	38	42	45	45	48	\$4,760
361CSL1602④	620	Yes	35	40	42	42	45	45	51	55	55	60	\$5,405
362CSL1604④	706	Yes	41	47	50	51	54	53	61	66	66	71	\$5,840
362CSL1606④	796	Yes	49	55	59	60	64	66	76	78	79	85	\$6,700
363CSL1607④	943	Yes	60	66	72	73	78	80	90	95	97	100	\$7,210
431CSL6202④	1220	Yes	77	90	95	96	100	96	115	120	121	125	\$8,145
431CSL6204④	1310	Yes	85	100	106	107	110	106	125	133	135	140	\$8,940
431CSL6206④	1415	Yes	105	120	130	132	135	131	150	165	166	175	\$9,890
431CSL6208④	1455	Yes	105	120	130	132	136	131	150	165	166	175	\$10,450
432CSL6210④	1685	Yes	125	147	158	161	165	156	185	200	201	206	\$11,035
432CSL6212④	1760	Yes	125	147	158	161	165	156	185	200	201	206	\$12,480
433CSL6216④	2235	Yes	150	175	190	193	200	190	220	240	241	250	\$13,990
433CSL6220④	2245	Yes	150	175	190	193	200	190	220	240	241	250	\$14,845

MAGNAPLUS® Alternate Models③④⑤, SE350 AVR with Shunt (Non-PMG) Excitation

281PSL1722	225	②	6	7	7.5	7.5	7.8	8	9	10	10	10.5	\$2,670
282PSL1704	270	②	8	10	10.5	10.5	11	10.5	12.5	14	14	15	\$2,955
282PSL1705	295	②	11	12.5	13.5	13.5	14	14	16	17.5	17.5	18.5	\$3,175
283PSL1706	336	②	13	15	16	16	17	17	20	21	21	23	\$3,535
283PSL1707	366	②	15	17	18	18	20	19	22	25	25	26	\$3,820
284PSL1708	405	Yes	19	21	23	23	25	25	28	30	30	32	\$4,180
284PSL1742	436	Yes	20	23	25	25	27	25	30	32	32	35	\$4,335
285PSL1700	480	Yes	21	25	28	28	30	30	35	37	37	40	\$4,390
286PSL1701	600	Yes	24	28	32	32	34	32	38	42	42	45	\$4,760
287PSL1702	670	Yes	25	30	33	33	34	36	42	45	45	50	\$5,405

MAGNAMAX^{DVR} DVR®2000E+ AVR with PMG Excitation

Base Model	Net Wt. (lbs.)	kW Rating @ Designated NEMA Rise										List Price
		0.8 Power Factor Lagging					1.0 Power Factor					
		Continuous			Standby		Continuous			Standby		
		NEMA B 80°C R/R	NEMA F 105°C R/R	NEMA H 125°C R/R	NEMA F 130°C R/R	NEMA H 150°C R/R	NEMA B 80°C R/R	NEMA F 105°C R/R	NEMA H 125°C R/R	NEMA F 130°C R/R	NEMA H 150°C R/R	
431RSL4005	1280	72	82	87	88	91	89	103	109	110	114	\$9,370
431RSL4007	1370	82	97	103	103	109	103	121	129	129	136	\$9,805
432RSL4009	1550	103	122	129	129	136	129	152	161	161	169	\$10,385
432RSL4011	1570	106	122	127	127	138	132	152	159	159	172	\$10,885
432RSL4013	1600	98	116	123	123	129	123	145	154	154	162	\$11,180
432RSL4015	1810	115	138	143	147	150	144	172	178	184	188	\$11,975
432RSL4017	1830	121	145	155	158	164	151	182	194	198	205	\$13,340
433RSL4019	2340	146	168	180	180	190	183	210	225	225	238	\$14,845
433RSL4021	2365	151	174	185	185	200	189	217	231	231	251	\$15,725
572RSL4025	2730	167	198	209	209	222	209	248	261	261	278	\$17,150
572RSL4027	2840	194	220	227	227	246	242	275	283	283	308	\$17,735
572RSL4029	3050	196	235	246	246	268	245	294	308	308	336	\$19,750
572RSL4031	3110	213	253	264	264	284	267	316	330	330	355	\$20,480
573RSL4033	3400	251	299	308	308	337	314	374	385	385	421	\$23,930
573RSL4035	3620	257	312	330	330	356	322	391	413	413	446	\$26,095
574RSL4037	4080	295	352	363	363	396	369	440	454	454	495	\$27,835

- ① 361 to 433 PSL (single bearing) or PDL (double bearing) models are the alternate to CSL models and have equivalent performance and dimensions.
 - ② PMG Option available as build-up only.
 - ③ Specialty and two bearing orders utilize these windings in place of 280 frame CSL models.
 - ④ All MagnaPlus models have linkboard as standard.
 - ⑤ For 120 volt only service, use an AVC63-4A or a VR63-4C voltage regulator to replace the standard SE350 regulator. See Modification Section for price adder.
 - ⑥ 240/120 volts can be obtained by connecting in either a Low Zigzag or Double Delta; and 480/240 volts can be obtained by connecting in High Zigzag connections. (See page 60 for connection diagrams)
- Notes A, B, C, D, E, and F on page 51 apply to this page.

1800 RPM
40°C Ambient
Shunt (Non-PMG) Excitation
SE350 AVR®

240/120 or 120 Volts
(4 Leads)

**4-Pole,
Dedicated
Single Phase**

**60
Hertz**

MAGNAPLUS® Standard Models® NEMA Class H Insulation

Base Model	Net Wt. (lbs.)	Bolt-on PMG Option Avail.	kW Rating @ Designated NEMA Rise										List Price
			0.8 Power Factor Lagging					1.0 Power Factor					
			Continuous			Standby		Continuous			Standby		
			NEMA B 80°C R/R	NEMA F 105°C R/R	NEMA H 125°C R/R	NEMA F 130°C R/R	NEMA H 150°C R/R	NEMA B 80°C R/R	NEMA F 105°C R/R	NEMA H 125°C R/R	NEMA F 130°C R/R	NEMA H 150°C R/R	
281CSL1513	216	No	6.5	7.5	8	8	8.5	10	12	12.5	12.5	13.5	\$2,700
282PSL1714③	236	②	7	7.7	8.4	8.5	9	10.5	12	13	13	13.5	\$2,825
282CSL1515	250	No	10	11	12	12	13	16	18	19	19	20	\$2,900
282PSL1716	288	②	12	14	15	15	16	18	20	22	22	25	\$3,255
283CSL1517	349	No	16.5	19	21	21	22	26	30	32	32	35	\$3,645
284CSL1518	398	No	14	16	18	18	20	24	30	32	32	35	\$3,935
284CSL1550	447	No	21	24	26	27	28	30	37	40	41	42	\$4,470
361CSL1611①	513	Yes	22	26	29	30	32	35	37	40	40	45	\$4,700
361CSL1612①	578	Yes	28	33	36	36	40	40	45	50	50	55	\$5,040
361CSL1613①	626	Yes	38	43	47	47	50	50	55	60	60	65	\$5,495
362CSL1615①	779	Yes	48	54	59	60	65	65	70	75	75	80	\$5,840
363CSL1617①	929	Yes	50	58	66	66	70	75	90	100	100	105	\$6,780
431PSL6222	1070	Yes	60	68	73	73	78	100	110	115	115	125	\$7,935
431PSL6224	1280	Yes	80	90	100	100	110	130	145	155	155	165	\$8,800
431PSL6226	1600	Yes	85	100	110	110	115	135	155	175	175	185	\$9,735
432PSL6228	1720	Yes	125	145	155	155	170	170	195	210	210	225	\$10,385

MAGNAPLUS® Alternate Models® NEMA Class H Insulation

281PSL1763	220	②	6	7	7.5	7.5	8	10.5	12	13	13	13.5	\$2,700
282PSL1715	265	②	10	11	12	12	12.5	15	17	18	18	20	\$2,900
283PSL1717	331	②	15	17	18.5	18.5	20	22	25	27	27	30	\$3,645
283PSL1718	360	②	17	20	22	22	23	26	30	32	32	35	\$3,935
284PSL1750	430	Yes	23	26	27	27	30	34	38	41	41	45	\$4,470
285PSL1711	470	Yes	24	28	32	32	34	36	40	45	45	50	\$4,700
286PSL1712	590	Yes	30	33	36	36	38	45	50	52	52	55	\$5,040
287PSL1713	660	Yes	30	35	40	40	43	47	55	60	60	64	\$5,495

Pancake® NEMA Class F Insulation

Base Model	Net Wt. (lbs.)	Bolt-on PMG Option Avail.	kW Rating @ Designated NEMA Rise										List Price
			0.8 Power Factor Lagging					1.0 Power Factor					
			Continuous			Standby		Continuous			Standby		
			NEMA B 80°C R/R	NEMA F 105°C R/R	NEMA H 125°C R/R	NEMA F 130°C R/R	NEMA H 150°C R/R	NEMA B 80°C R/R	NEMA F 105°C R/R	NEMA H 125°C R/R	NEMA F 130°C R/R	NEMA H 150°C R/R	
331CSA/B3018	125	No	4.5	5	N/A	5.5	N/A	8	8.5	N/A	9	N/A	\$2,465
332CSA/B3020	143	No	6	6.5	N/A	7	N/A	10	10.5	N/A	11	N/A	\$2,670
333CSA/B3024	192	No	9	10	N/A	10	N/A	12.5	15	N/A	16.5	N/A	\$2,885
334CSA/B3027	214	No	10	11.5	N/A	13	N/A	15	17.5	N/A	19	N/A	\$3,195
334CSA/B3028	214	No	11.5	13	N/A	14.5	N/A	17	20	N/A	22.5	N/A	\$3,255

- ① 361 to 433 PSL (single bearing) or PDL (double bearing) models are the alternate to CSL models and have equivalent performance and dimensions.
 - ② PMG Option available as build-up only.
 - ③ Specialty and two bearing orders utilize these windings in place of 280 frame CSL models.
 - ④ All MagnaPlus models have linkboard as standard.
 - ⑤ For 120 volt only service, use an AVC63-4A or a VR63-4C voltage regulator to replace the standard SE350 regulator. See Modification Section for price adder.
 - ⑥ Pancake generators are designed for space-critical applications.
 - ⑦ CSA models are SAE 5, CSB models are SAE 4.
- Notes A, B, C, D, E, and F on page 51 apply to this page.

**60
Hertz**

**4-Pole,
Medium Voltage,
Three Phase**

**2400Y/1386 Volts
(6 Leads)^{①②}
1386 Volts Delta**

1800 RPM
NEMA Class H Insulation
40°C Ambient
0.8 Power Factor Lagging
DVR®2000E+ AVR with PMG Excitation

MAGNAMAX^{DVR}

Base Model	Net Wt. (lbs.)	No. of Leads	kW Rating @ Designated NEMA Rise					List Price
			Continuous			Standby		
			NEMA B 80°C R/R	NEMA F 105°C R/R	NEMA H 125°C R/R	NEMA F 130°C R/R	NEMA H 150°C R/R	
573FSM4304	2890	6	315	400	415	415	450	\$42,405
573FSM4306	3030	6	350	450	500	500	530	\$44,990
574FSM4308	3530	6	450	550	575	600	600	\$48,600
574FSM4310	4050	6	525	660	725	735	750	\$52,495
741FSM4314 ^③	5300	6	700	875	890	900	900	\$56,825
742FSM4316 ^③	6100	6	925	1090	1175	1200	1200	\$65,620
742FSM4318 ^③	6900	6	1075	1270	1360	1400	1400	\$72,965
743FSM4320 ^③	7500	6	1180	1410	1470	1550	1550	\$77,435
743FSM4322 ^③	8200	6	1370	1630	1780	1800	1800	\$83,350

MAGNAPOWER[®]

1020FDM5320 ^③	14500	6	1750	2000	2100	2100	2100	\$146,375
1020FDM5322 ^③	15900	6	2000	2300	2400	2400	2400	\$161,505
1020FDM5324 ^③	16800	6	2250	2570	2700	2700	2700	\$168,720
1020FDM5326 ^③	17900	6	2500	2860	3000	3000	3000	\$180,260

**60
Hertz**

**4-Pole,
Medium Voltage,
Three Phase**

**3300Y/1905 Volts
(6 Leads)^{①②}
1905 Volts Delta**

1800 RPM
NEMA Class H Insulation
40°C Ambient
0.8 Power Factor Lagging
DVR®2000E+ AVR with PMG Excitation

MAGNAMAX^{DVR}

Base Model	Net Wt. (lbs.)	No. of Leads	kW Rating @ Designated NEMA Rise					List Price
			Continuous			Standby		
			NEMA B 80°C R/R	NEMA F 105°C R/R	NEMA H 125°C R/R	NEMA F 130°C R/R	NEMA H 150°C R/R	
573FSM4326	2890	6	315	400	415	415	450	\$42,405
573FSM4328	3030	6	350	450	500	500	530	\$44,990
574FSM4330	3530	6	465	600	625	625	675	\$48,600
741FSM4334 ^③	5300	6	700	850	900	900	925	\$56,825
742FSM4336 ^③	6100	6	950	1120	1200	1200	1280	\$65,620
742FSM4338 ^③	6900	6	1100	1310	1380	1400	1400	\$72,965
743FSM4340 ^③	7500	6	1250	1470	1550	1550	1570	\$77,435
743FSM4342 ^③	8200	6	1370	1625	1800	1800	1800	\$82,920
744FSM4344 ^③	9300	6	1500	1850	2000	2000	2000	\$105,995

MAGNAPOWER[®]

1020FDM5330 ^③	14500	6	1750	2000	2100	2100	2100	\$146,375
1020FDM5332 ^③	15900	6	2000	2300	2400	2400	2400	\$161,505
1020FDM5334 ^③	16800	6	2250	2570	2700	2700	2700	\$168,720
1020FDM5336 ^③	17900	6	2500	2860	3000	3000	3000	\$180,260

① Medium voltage sensing potential transformers (P/Ts) are not included. For three phase sensing, a three phase PT is required. See Modification Section for price adder.

② All medium voltage generators incorporate form wound coils and VPI insulation systems.

③ All 740 and 1000 frame generators on this page have 100 ohm platinum winding RTDs as standard equipment.

④ All 1000 frame generators have 4 bus bars, with the capability of differential protection.

Notes A, B, C, D, E, and F on page 51 apply to this page.

1800 RPM
NEMA Class H Insulation
40°C Ambient
0.8 Power Factor Lagging
DVR®2000E+ AVR with PMG Excitation

**4160Y/2402 Volts
(6 Leads)①②
2402 Volts Delta**

**4-Pole,
Medium Voltage,
Three Phase**

**60
Hertz**

MAGNAMAX^{DVR}

Base Model	Net Wt. (lbs.)	No. of Leads	kW Rating @ Designated NEMA Rise					List Price
			Continuous			Standby		
			NEMA B 80°C R/R	NEMA F 105°C R/R	NEMA H 125°C R/R	NEMA F 130°C R/R	NEMA H 150°C R/R	
573FSM4352	2890	6	315	400	415	415	460	\$40,370
573FSM4354	3030	6	350	450	500	500	530	\$42,825
574FSM4356	3530	6	465	600	625	625	700	\$46,295
574FSM4358	4050	6	550	710	760	760	840	\$50,040
741FSM4360③	5300	6	730	900	925	925	930	\$54,070
742FSM4364③	6100	6	925	1120	1200	1200	1200	\$62,450
742FSM4366③	6900	6	1120	1360	1450	1450	1450	\$69,505
743FSM4368③	7500	6	1240	1520	1600	1600	1610	\$73,690
743FSM4370③	8200	6	1370	1680	1800	1800	1800	\$79,305
744FSM4374③	9300	6	1525	1875	2050	2050	2050	\$100,950
744FSM4376③	9340	6	1800	2150	2320	2320	2320	\$115,365

MAGNAPOWER[®]

Expanded Offering!

1020FDM1180③	14200	6	2000	2250	2500	2500	2500	\$161,505
1020FDM1182③	15700	6	2250	2500	2800	2800	2800	\$168,720
1020FDM1184③	15900	6	2400	2800	3000	3000	3000	\$180,260
1030FDM1186③	16900	6	2650	3000	3000	3000	3000	\$198,270
1030FDM1188③	17100	6	2650	3000	3300	3350	3350	\$227,820
1030FDM1190③	17900	6	2800	3250	3420	3500	3500	\$249,475
1030FDM1192③	18100	6	2920	3340	3650	3680	3680	\$273,175
1040FDM1194③	20000	6	3300	3800	4150	4200	4200	\$314,075

1500 RPM
NEMA Class H Insulation
40°C Ambient
0.8 Power Factor Lagging
DVR®2000E+ AVR with PMG Excitation

**3300Y/1905 Volts
(6 Leads)①②
1905 Volts Delta**

**4-Pole,
Medium Voltage,
Three Phase**

**50
Hertz**

MAGNAMAX^{DVR}

Base Model	Net Wt. (lbs.)	No. of Leads	Continuous						Standby				List Price
			NEMA B 80°C R/R		NEMA F 105°C R/R		NEMA H 125°C R/R		NEMA F 130°C R/R		NEMA H 150°C R/R		
			kVA	kW	kVA	kW	kVA	kW	kVA	kW	kVA	kW	
573FSM4352	2890	6	350	280	425	340	456	365	469	375	488	390	\$40,370
573FSM4354	3030	6	388	310	475	380	519	415	531	425	550	440	\$42,825
574FSM4356	3530	6	500	400	625	500	663	530	681	545	706	565	\$46,295
574FSM4358	4050	6	588	470	731	585	788	630	806	645	838	670	\$50,040
741FSM4360③	5300	6	769	615	913	730	981	785	981	785	1038	830	\$54,070
742FSM4364③	6100	6	963	770	1156	925	1250	1000	1250	1000	1325	1060	\$62,450
742FSM4366③	6900	6	1163	930	1400	1120	1500	1200	1500	1200	1600	1280	\$69,505
743FSM4368③	7500	6	1300	1040	1550	1240	1675	1340	1675	1340	1788	1430	\$73,690
743FSM4370③	8200	6	1425	1140	1750	1400	1900	1520	1900	1520	2050	1640	\$79,305
744FSM4374③	9300	6	1525	1220	1813	1450	2000	1600	2000	1600	2188	1750	\$100,950
744FSM4376③	9340	6	1500	1200	2050	1640	2275	1820	2338	1870	2463	1970	\$115,365

MAGNAPOWER[®]

Expanded Offering!

1020FDM1180③	14200	6	2156	1725	2563	2050	2750	2200	2813	2250	2813	2250	\$161,505
1020FDM1182③	15700	6	2250	1800	2625	2100	2813	2250	2875	2300	2875	2300	\$168,720
1020FDM1184③	15900	6	2500	2000	2800	2240	3000	2400	3000	2400	3000	2400	\$180,260
1030FDM1186③	16900	6	2650	2120	3000	2400	3000	2400	3000	2400	3000	2400	\$198,270
1030FDM1188③	17100	6	2650	2120	3000	2400	3300	2640	3350	2680	3350	2680	\$227,820
1030FDM1190③	17900	6	2813	2250	3250	2600	3438	2750	3500	2800	3500	2800	\$249,475
1030FDM1192③	18100	6	2938	2350	3375	2700	3650	2920	3750	3000	3750	3000	\$273,175
1040FDM1194③	20000	6	3300	2640	3800	3040	4150	3320	4250	3400	4250	3400	\$314,075

① Medium voltage sensing potential transformers (P/Ts) are not included. For three phase sensing, a three phase PT is required.

See Modification Section for price adder.

② All medium voltage generators incorporate form wound coils and VPI insulation systems.

③ All 740 and 1000 frame generators on this page have 100 ohm platinum winding RTDs as standard equipment.

④ All 1000 frame generators have 4 bus bars, with the capability of differential protection.

Notes A, B, C, D, E, and F on page 51 apply to this page.

**60
Hertz**

**4-Pole,
Medium Voltage,
Three Phase**

1800 RPM
40°C Ambient
0.8 Power Factor Lagging
DVR®2000E+ AVR with PMG Excitation

**Expanded
Offering!**

MAGNAMAX^{DVR}

NEMA Class H Insulation

6300Y/3637 Volts or 3637 Volts Delta (6 Leads) ①②

NOTE: 570 & 740 Frame units **MUST** employ solidly grounded neutral.

Base Model	Net Wt. (lbs.)	No. of Leads	kW Rating @ Designated NEMA Rise					List Price
			Continuous			Standby		
			NEMA B 80°C R/R	NEMA F 105°C R/R	NEMA H 125°C R/R	NEMA F 130°C R/R	NEMA H 150°C R/R	
574FSM4380	3650	6	450	525	560	570	600	\$61,295
741FSM4382③	5600	6	830	950	975	1000	1040	\$75,700
742FSM4384③	6100	6	1025	1150	1225	1250	1275	\$83,640
742FSM4386③	6500	6	1025	1150	1250	1250	1275	\$87,245
742FSM4388③	6900	6	1160	1360	1475	1475	1500	\$92,290
743FSM4390③	7500	6	1275	1450	1475	1525	1550	\$95,180
743FSM4392③	8200	6	1325	1575	1725	1725	1725	\$101,675
744FSM4394③	9300	6	1575	1875	2000	2025	2050	\$129,355

MAGNAPOWER[®] ④

NEMA Class F Insulation

Base Model	Net Wt. (lbs.)	No. of Leads	NEMA B 80°C R/R	NEMA F 105°C R/R	NEMA H 125°C R/R	NEMA F 130°C R/R	NEMA H 150°C R/R	List Price
1020FDH1200③	13200	6	1850	2100	N/A	2300	N/A	\$204,915
1020FDH1202③	13700	6	1900	2210	N/A	2390	N/A	\$232,320
1020FDH1204③	14500	6	2120	2440	N/A	2660	N/A	\$259,715
1030FDH1206③	16600	6	2400	2800	N/A	3000	N/A	\$284,385
1030FDH1208③	16800	6	2560	3000	N/A	3300	N/A	\$311,410
1040FDH1210③	18900	6	2930	3430	N/A	3750	N/A	\$348,775

MAGNAMAX^{DVR}

NEMA Class H Insulation

6600Y/3811 Volts or 3811 Volts Delta (6 Leads) ①②

NOTE: 570 & 740 Frame units **MUST** employ solidly grounded neutral.

Base Model	Net Wt. (lbs.)	No. of Leads	kW Rating @ Designated NEMA Rise					List Price
			Continuous			Standby		
			NEMA B 80°C R/R	NEMA F 105°C R/R	NEMA H 125°C R/R	NEMA F 130°C R/R	NEMA H 150°C R/R	
574FSM4380	3650	6	465	550	590	600	625	\$61,295
741FSM4382③	5600	6	875	1000	1040	1050	1080	\$75,700
742FSM4384③	6100	6	1000	1100	1200	1200	1250	\$83,640
742FSM4386③	6500	6	1025	1200	1290	1300	1350	\$87,245
742FSM4388③	6900	6	1100	1300	1400	1400	1450	\$92,290
743FSM4390③	7500	6	1290	1460	1500	1600	1600	\$95,180
743FSM4392③	8200	6	1370	1625	1800	1800	1800	\$101,675
744FSM4394③	9300	6	1500	1850	2000	2000	2000	\$129,355

MAGNAPOWER[®] ④

NEMA Class F Insulation

Base Model	Net Wt. (lbs.)	No. of Leads	NEMA B 80°C R/R	NEMA F 105°C R/R	NEMA H 125°C R/R	NEMA F 130°C R/R	NEMA H 150°C R/R	List Price
1020FDH1200③	13200	6	1750	2050	N/A	2250	N/A	\$204,915
1020FDH1202③	13700	6	1800	2170	N/A	2360	N/A	\$232,320
1020FDH1204③	14500	6	2030	2340	N/A	2540	N/A	\$259,715
1030FDH1206③	16600	6	2350	2800	N/A	3000	N/A	\$284,385
1030FDH1208③	16800	6	2500	3000	N/A	3300	N/A	\$311,410
1040FDH1210③	18900	6	2880	3390	N/A	3720	N/A	\$348,775

MAGNAMAX^{DVR}

NEMA Class H Insulation

6900Y/3984 Volts or 3984 Volts Delta (6 Leads) ①②

NOTE: 570 & 740 Frame units **MUST** employ solidly grounded neutral.

Base Model	Net Wt. (lbs.)	No. of Leads	kW Rating @ Designated NEMA Rise					List Price
			Continuous			Standby		
			NEMA B 80°C R/R	NEMA F 105°C R/R	NEMA H 125°C R/R	NEMA F 130°C R/R	NEMA H 150°C R/R	
574FSM4380	3650	6	475	575	600	615	625	\$61,295
741FSM4382③	5600	6	840	975	1025	1050	1060	\$75,700
742FSM4384③	6100	6	950	1075	1150	1175	1200	\$83,640
742FSM4386③	6500	6	975	1150	1225	1250	1250	\$87,245
742FSM4388③	6900	6	975	1160	1250	1250	1300	\$92,290
743FSM4390③	7500	6	1265	1450	1525	1575	1575	\$95,180
743FSM4392③	8200	6	1350	1600	1750	1750	1750	\$101,675
744FSM4394③	9300	6	1475	1825	1975	2000	2000	\$129,355

MAGNAPOWER[®] ④

NEMA Class F Insulation

Base Model	Net Wt. (lbs.)	No. of Leads	NEMA B 80°C R/R	NEMA F 105°C R/R	NEMA H 125°C R/R	NEMA F 130°C R/R	NEMA H 150°C R/R	List Price
1020FDH1200③	13200	6	1700	2000	N/A	2200	N/A	\$204,915
1020FDH1202③	13700	6	1750	2090	N/A	2270	N/A	\$232,320
1020FDH1204③	14500	6	2000	2310	N/A	2520	N/A	\$259,715
1030FDH1206③	16600	6	2375	2800	N/A	3000	N/A	\$284,385
1030FDH1208③	16800	6	2530	3000	N/A	3300	N/A	\$311,410
1040FDH1210③	18900	6	2810	3350	N/A	3680	N/A	\$348,775

① Medium voltage sensing potential transformers (P/Ts) are not included. For three phase sensing, a three phase PT is required.

See Modification Section for price adder.

② All medium voltage generators incorporate form wound coils and VPI insulation systems.

③ All 740 and 1000 frame generators on this page have 100 ohm platinum winding RTDs as standard equipment.

④ All 1000 frame generators have 4 bus bars, with the capability of differential protection.

Notes A, B, C, D, E, and F on page 51 apply to this page.

Expanded Offering!

1500 RPM
40°C Ambient
0.8 Power Factor Lagging
DVR®2000E+ AVR with PMG Excitation

4-Pole,
Medium Voltage,
Three Phase

50
Hertz

MAGNAMAX^{DVR}

NEMA Class H Insulation

NOTE: 740 Frame units MUST employ solidly grounded neutral.

6300Y/3637 Volts or 3637 Volts Delta (6 Leads) ①②③

Base Model	Net Wt. (lbs.)	No. of Leads	Continuous						Standby				List Price
			NEMA B 80°C R/R		NEMA F 105°C R/R		NEMA H 125°C R/R		NEMA F 130°C R/R		NEMA H 150°C R/R		
			kVA	kW	kVA	kW	kVA	kW	kVA	kW	kVA	kW	
742FSM4460	6100	6	950	760	1150	920	1250	1000	1250	1000	1325	1060	\$87,245
742FSM4462	6900	6	1213	970	1425	1140	1550	1240	1575	1260	1625	1300	\$92,290
743FSM4464	7500	6	1313	1050	1563	1250	1675	1340	1688	1350	1725	1380	\$95,180
743FSM4466	8200	6	1450	1160	1775	1420	1875	1500	1900	1520	2000	1600	\$101,675
744FSM4470	9300	6	1550	1240	1850	1480	2000	1600	2025	1620	2100	1680	\$125,465

MAGNAPOWER[®] ④

NEMA Class F Insulation

1020FDH1220	13000	6	1813	1450	2125	1700	N/A	N/A	2313	1850	N/A	N/A	\$207,660
1020FDH1222	13600	6	2025	1620	2350	1880	N/A	N/A	2563	2050	N/A	N/A	\$226,405
1020FDH1224	14200	6	2100	1680	2438	1950	N/A	N/A	2650	2120	N/A	N/A	\$245,150
1020FDH1226	14700	6	2213	1770	2563	2050	N/A	N/A	2788	2230	N/A	N/A	\$274,140
1020FDH1228	16400	6	2625	2100	3050	2440	N/A	N/A	3325	2660	N/A	N/A	\$317,395
1030FDH1230	17300	6	2825	2260	3288	2630	N/A	N/A	3575	2860	N/A	N/A	\$355,485
1040FDH1232	18600	6	3013	2410	3513	2810	N/A	N/A	3825	3060	N/A	N/A	\$389,260
1040FDH1234	19500	6	3425	2740	3988	3190	N/A	N/A	4350	3480	N/A	N/A	\$435,970

6600Y/3811 Volts (6 Leads) 3811 Volts Delta ①②③

MAGNAMAX^{DVR}

NEMA Class H Insulation

NOTE: 740 Frame units MUST employ solidly grounded neutral.

Base Model	Net Wt. (lbs.)	No. of Leads	Continuous						Standby				List Price
			NEMA B 80°C R/R		NEMA F 105°C R/R		NEMA H 125°C R/R		NEMA F 130°C R/R		NEMA H 150°C R/R		
			kVA	kW	kVA	kW	kVA	kW	kVA	kW	kVA	kW	
742FSM4460	6100	6	963	770	1156	925	1250	1000	1250	1000	1325	1060	\$87,245
742FSM4462	6900	6	1163	930	1400	1120	1500	1200	1500	1200	1600	1280	\$92,290
743FSM4464	7500	6	1300	1040	1550	1240	1675	1340	1675	1340	1788	1430	\$95,180
743FSM4466	8200	6	1425	1140	1750	1400	1900	1520	1900	1520	2050	1640	\$101,675
744FSM4470	9300	6	1525	1220	1788	1430	2000	1600	2000	1600	2125	1700	\$125,465

MAGNAPOWER[®] ④

NEMA Class F Insulation

1020FDH1220	13000	6	1750	1400	2063	1650	N/A	N/A	2250	1800	N/A	N/A	\$207,660
1020FDH1222	13600	6	1950	1560	2288	1830	N/A	N/A	2513	2010	N/A	N/A	\$226,405
1020FDH1224	14200	6	2038	1630	2413	1930	N/A	N/A	2625	2100	N/A	N/A	\$245,150
1020FDH1226	14700	6	2200	1760	2550	2040	N/A	N/A	2763	2210	N/A	N/A	\$274,140
1020FDH1228	16400	6	2600	2080	3038	2430	N/A	N/A	3325	2660	N/A	N/A	\$317,395
1030FDH1230	17300	6	2763	2210	3238	2590	N/A	N/A	3550	2840	N/A	N/A	\$355,485
1040FDH1232	18600	6	2925	2340	3438	2750	N/A	N/A	3763	3010	N/A	N/A	\$389,260
1040FDH1234	19500	6	3263	2610	3875	3100	N/A	N/A	4238	3390	N/A	N/A	\$435,970

6900Y/3984 Volts or 3984 Volts Delta (6 Leads) ①②③

MAGNAMAX^{DVR}

NEMA Class H Insulation

NOTE: 740 Frame units MUST employ solidly grounded neutral.

Base Model	Net Wt. (lbs.)	No. of Leads	Continuous						Standby				List Price
			NEMA B 80°C R/R		NEMA F 105°C R/R		NEMA H 125°C R/R		NEMA F 130°C R/R		NEMA H 150°C R/R		
			kVA	kW	kVA	kW	kVA	kW	kVA	kW	kVA	kW	
742FSM4460	6100	6	900	720	1100	880	1200	960	1200	960	1225	980	\$87,245
742FSM4462	6900	6	1150	920	1400	1120	1500	1200	1525	1220	1550	1240	\$92,290
743FSM4464	7500	6	1225	980	1475	1180	1600	1280	1600	1280	1675	1340	\$95,180
743FSM4466	8200	6	1375	1100	1675	1340	1800	1440	1825	1460	1925	1540	\$101,675
744FSM4470	9300	6	1500	1200	1775	1420	1950	1560	2000	1600	2075	1660	\$125,465

MAGNAPOWER[®] ④

NEMA Class F Insulation

1020FDH1220	13000	6	1563	1250	1875	1500	N/A	N/A	2063	1650	N/A	N/A	\$207,660
1020FDH1222	13600	6	1838	1470	2200	1760	N/A	N/A	2425	1940	N/A	N/A	\$226,405
1020FDH1224	14200	6	1975	1580	2375	1900	N/A	N/A	2588	2070	N/A	N/A	\$245,150
1020FDH1226	14700	6	2063	1650	2525	2020	N/A	N/A	2750	2200	N/A	N/A	\$274,140
1020FDH1228	16400	6	2638	2110	3100	2480	N/A	N/A	3388	2710	N/A	N/A	\$317,395
1030FDH1230	17300	6	2775	2220	3275	2620	N/A	N/A	3588	2870	N/A	N/A	\$355,485
1040FDH1232	18600	6	2913	2330	3450	2760	N/A	N/A	3788	3030	N/A	N/A	\$389,260
1040FDH1234	19500	6	3038	2430	3688	2950	N/A	N/A	4063	3250	N/A	N/A	\$435,970

- ① Medium voltage sensing potential transformers (P/Ts) are not included. For three phase sensing, a three phase PT is required. See Modification Section for price adder.
 - ② All medium voltage generators incorporate form wound coils and VPI insulation systems.
 - ③ All 740 and 1000 frame generators on this page have 100 ohm platinum winding RTDs as standard equipment.
 - ④ All 1000 frame generators have 4 bus bars, with the capability of differential protection.
- Notes A, B, C, D, E, and F on page 51 apply to this page.

**60
Hertz****4-Pole,
High Voltage,
Three Phase**1800 RPM
NEMA Class F Insulation
40°C Ambient
0.8 Power Factor Lagging
DVR®2000E+ AVR with PMG Excitation**MAGNAPOWER®****Expanded
Offering!****12470Y/7200 Volts or 7200 Volts Delta (6 Leads)**

Base Model	Net Wt. (lbs.)	No. of Leads	kW Rating @ Designated NEMA Rise			List Price
			Continuous		Standby	
			NEMA B 80°C R/R	NEMA F 105°C R/R	NEMA F 130°C R/R	
1020FDH1240	14000	6	1575	1825	1950	\$170,880
1020FDH1242	14200	6	1770	2010	2160	\$191,800
1020FDH1244	14475	6	1770	2000	2160	\$201,170
1020FDH1246	14900	6	1850	2120	2290	\$210,545
1020FDH1248	15500	6	2000	2250	2500	\$237,945
1030FDH1250	16200	6	2170	2500	2700	\$272,555
1030FDH1252	17700	6	2160	2500	2700	\$282,835
1030FDH1254	18000	6	2330	2750	3000	\$318,835
1040FDH1256	19750	6	2500	3000	3250	\$371,685
1040FDH1258	20250	6	2900	3380	3680	\$407,000
1040FDH1260	21500	6	3000	3540	3890	\$445,660

MAGNAPOWER®**Expanded
Offering!****13200Y/7621 Volts or 7621 Volts Delta (6 Leads)**

Base Model	Net Wt. (lbs.)	No. of Leads	kW Rating @ Designated NEMA Rise			List Price
			Continuous		Standby	
			NEMA B 80°C R/R	NEMA F 105°C R/R	NEMA F 130°C R/R	
1020FDH1240	14000	6	1500	1750	1875	\$170,880
1020FDH1242	14200	6	1750	2000	2180	\$191,800
1020FDH1244	14475	6	1800	2010	2250	\$201,170
1020FDH1246	14900	6	1800	2170	2360	\$210,545
1020FDH1248	15500	6	2000	2250	2500	\$237,945
1030FDH1250	16200	6	2150	2500	2700	\$272,555
1030FDH1252	17700	6	2200	2550	2800	\$282,835
1030FDH1254	18000	6	2350	2800	3070	\$318,835
1040FDH1256	19750	6	2500	3000	3250	\$371,685
1040FDH1258	20250	6	2800	3360	3690	\$407,000
1040FDH1260	21500	6	2840	3500	3870	\$445,660

MAGNAPOWER®**Expanded
Offering!****13800Y/7967 Volts or 7967 Volts Delta (6 Leads)**

Base Model	Net Wt. (lbs.)	No. of Leads	kW Rating @ Designated NEMA Rise			List Price
			Continuous		Standby	
			NEMA B 80°C R/R	NEMA F 105°C R/R	NEMA F 130°C R/R	
1020FDH1240	14000	6	1425	1700	1850	\$170,880
1020FDH1242	14200	6	1530	1840	2000	\$191,800
1020FDH1244	14475	6	1750	2000	2180	\$201,170
1020FDH1246	14900	6	1750	2090	2270	\$210,545
1020FDH1248	15500	6	1780	2130	2330	\$237,945
1030FDH1250	16200	6	1970	2350	2570	\$272,555
1030FDH1252	17700	6	2100	2500	2700	\$282,835
1030FDH1254	18000	6	2440	2800	3230	\$318,835
1040FDH1256	19750	6	2500	3000	3250	\$371,685
1040FDH1258	20250	6	2800	3300	3660	\$407,000
1040FDH1260	21500	6	2800	3300	3660	\$445,660

- High voltage sensing potential transformers (P/Ts) are not included. For three phase sensing, a three phase PT is required.
 - All 1000 frame generators on this page have 100 ohm platinum winding RTDs as standard equipment.
 - All high voltage generators incorporate form wound coils and VPI insulation systems.
 - All 1000 frame generators have 4 bus bars, with the capability of differential protection.
- Notes A, B, C, D, E, and F on page 51 apply to this page.

1500 RPM
 NEMA Class F Insulation
 40°C Ambient
 0.8 Power Factor Lagging
 DVR®2000E+ AVR with PMG Excitation

**4-Pole,
 High Voltage,
 Three Phase**

**50
 Hertz**

MAGNAPOWER®

Expanded Offering!

10000Y/5774 Volts or 5774 Volts Delta (6 Leads)

Base Model	Net Wt. (lbs.)	No. of Leads	Continuous				Standby		List Price
			NEMA B 80°C R/R		NEMA F 105°C R/R		NEMA F 130°C R/R		
			kVA	kW	kVA	kW	kVA	kW	
1020FDH1240	14000	6	1500	1200	1725	1380	1881	1505	\$170,880
1020FDH1242	14200	6	1775	1420	2038	1630	2200	1760	\$191,800
1020FDH1244	14475	6	1788	1430	2050	1640	2213	1770	\$201,170
1020FDH1246	14900	6	1825	1460	2063	1650	2225	1780	\$210,545
1020FDH1248	15500	6	2063	1650	2375	1900	2575	2060	\$237,945
1030FDH1250	16200	6	2188	1750	2525	2020	2725	2180	\$272,555
1030FDH1252	17700	6	2188	1750	2525	2020	2725	2180	\$282,835
1030FDH1254	18000	6	2363	1890	2775	2220	3025	2420	\$318,835
1040FDH1256	19750	6	2500	2000	3125	2500	3500	2800	\$371,685
1040FDH1258	20250	6	2900	2320	3413	2730	3725	2980	\$407,000
1040FDH1260	21500	6	3138	2510	3775	3020	4163	3330	\$445,660

MAGNAPOWER®

Expanded Offering!

10500Y/6062 Volts or 6062 Volts Delta (6 Leads)

Base Model	Net Wt. (lbs.)	No. of Leads	Continuous				Standby		List Price
			NEMA B 80°C R/R		NEMA F 105°C R/R		NEMA F 130°C R/R		
			kVA	kW	kVA	kW	kVA	kW	
1020FDH1240	14000	6	1563	1250	1781	1425	1925	1540	\$170,880
1020FDH1242	14200	6	1850	1480	2100	1680	2250	1800	\$191,800
1020FDH1244	14475	6	1888	1510	2125	1700	2288	1830	\$201,170
1020FDH1246	14900	6	1900	1520	2150	1720	2325	1860	\$210,545
1020FDH1248	15500	6	2075	1660	2388	1910	2588	2070	\$237,945
1030FDH1250	16200	6	2288	1830	2638	2110	2838	2270	\$272,555
1030FDH1252	17700	6	2288	1830	2638	2110	2838	2270	\$282,835
1030FDH1254	18000	6	2425	1940	2863	2290	3138	2510	\$318,835
1040FDH1256	19750	6	2500	2000	3125	2500	3500	2800	\$371,685
1040FDH1258	20250	6	2925	2340	3438	2750	3763	3010	\$407,000
1040FDH1260	21500	6	3163	2530	3775	3020	4150	3320	\$445,660

MAGNAPOWER®

Expanded Offering!

11000Y/6351 Volts or 6351 Volts Delta (6 Leads)

Base Model	Net Wt. (lbs.)	No. of Leads	Continuous				Standby		List Price
			NEMA B 80°C R/R		NEMA F 105°C R/R		NEMA F 130°C R/R		
			kVA	kW	kVA	kW	kVA	kW	
1020FDH1240	14000	6	1500	1200	1750	1400	1875	1500	\$170,880
1020FDH1242	14200	6	1775	1420	2063	1650	2188	1750	\$191,800
1020FDH1244	14475	6	1838	1470	2175	1740	2363	1890	\$201,170
1020FDH1246	14900	6	1900	1520	2250	1800	2425	1940	\$210,545
1020FDH1248	15500	6	1975	1580	2375	1900	2588	2070	\$237,945
1030FDH1250	16200	6	2150	1720	2500	2000	2813	2250	\$272,555
1030FDH1252	17700	6	2188	1750	2550	2040	2875	2300	\$282,835
1030FDH1254	18000	6	2500	2000	2913	2330	3200	2560	\$318,835
1040FDH1256	19750	6	2500	2000	3125	2500	3500	2800	\$371,685
1040FDH1258	20250	6	2888	2310	3425	2740	3750	3000	\$407,000
1040FDH1260	21500	6	2950	2360	3650	2920	4025	3220	\$445,660

- High voltage sensing potential transformers (P/Ts) are not included. For three phase sensing, a three phase PT is required.
 - All 1000 frame generators on this page have 100 ohm platinum winding RTDs as standard equipment.
 - All high voltage generators incorporate form wound coils and VPI insulation systems.
 - All 1000 frame generators have 4 bus bars, with the capability of differential protection.
- Notes A, B, C, D, E, and F on page 51 apply to this page.

**50
Hertz****4-Pole,
Three Phase****208Y or 415Y Volts
(12 Leads)
240 Volts Delta (12 Leads)**1500 RPM
NEMA Class H Insulation
40°C Ambient
0.8 Power Factor Lagging
Shunt (Non-PMG) Excitation
SE350 AVR**MAGNAPLUS** Standard Models

Base Model	Net Wt. (lbs.)	No. of Leads ④	Voltage	Bolt-on PMG Option Avail.	NEMA F Cont. 105°C R/R		NEMA H Cont. 125°C R/R		NEMA H Stby. 150°C R/R		List Price
					kVA	kW	kVA	kW	kVA	kW	
281CSL1502	220	12	208Y/415Y	No	12	9.6	12.5	10	13.1	10.5	\$2,670
282PSL1703③	240	12	208Y/415Y	②	12	9.6	13.1	10.5	14.4	11.5	\$2,810
282CSL1504	250	12	208Y/415Y	No	16.3	13	17.5	14	18.8	15	\$2,955
282CSL1505	275	12	208Y/415Y	No	21.3	17	23.1	18.5	25	20	\$3,175
283CSL1506	310	12	208Y/415Y	No	22	18	25	20	27	22	\$3,535
283CSL1507	350	12	208Y/415Y	No	27	22	30	24	32	26	\$3,820
284CSL1508	405	12	208Y/415Y	No	31	25	35	28	37	30	\$4,180
284CSL1542	420	12	208Y/415Y	No	36	29	40	32	42	34	\$4,335
361CSL1600①	518	12	208Y/415Y	Yes	45	36	50	40	53	42	\$4,390
361CSL1601①	569	12	208Y/415Y	Yes	50	40	56	45	60	48	\$4,760
361CSL1602①	620	12	208Y/415Y	Yes	60	48	65	52	73	58	\$5,405
362CSL1604①	706	12	208Y/415Y	Yes	81	65	90	72	96	77	\$5,840
362CSL1606①	796	12	208Y/415Y	Yes	90	72	100	80	110	88	\$6,700
363CSL1607①	943	12	208Y/415Y	Yes	113	90	130	104	133	106	\$7,210
431CSL6202①	1220	12	208Y/415Y	Yes	140	112	150	120	155	124	\$8,145
431CSL6204①	1310	12	208Y/415Y	Yes	165	132	175	140	183	146	\$8,940
431CSL6206①	1415	12	208Y/415Y	Yes	185	148	200	160	211	169	\$9,890
431CSL6208①	1455	12	208Y/415Y	Yes	206	165	225	180	235	188	\$10,450
432CSL6210①	1685	12	208Y/415Y	Yes	240	192	260	208	275	220	\$11,035
432CSL6212①	1760	12	208Y/415Y	Yes	270	216	300	240	310	248	\$12,480
433CSL6216①	2235	12	208Y/415Y	Yes	320	256	350	280	375	300	\$13,990
433CSL6220①	2245	12	208Y/415Y	Yes	355	284	400	320	410	328	\$14,845

MAGNAPLUS Alternate Models③

281PSL1722	225	12	208Y/415Y	②	9	7.2	9.8	7.8	10.5	8.4	\$2,670
282PSL1704	270	12	208Y/415Y	②	12.5	10	13.8	11	15	12	\$2,955
282PSL1705	295	12	208Y/415Y	②	16.3	13	18.8	15	20	16	\$3,175
283PSL1706	336	12	208Y/415Y	②	22	18	25	20	26	21	\$3,535
283PSL1707	366	12	208Y/415Y	②	26	21	30	24	32	26	\$3,820
284PSL1708	405	12	208Y/415Y	Yes	28	23	32	26	35	28	\$4,180
284PSL1742	436	12	208Y/415Y	Yes	33	27	37	30	40	32	\$4,335
285PSL1700	480	12	208Y/415Y	Yes	37	30	42	34	45	36	\$4,390
286PSL1701	600	12	208Y/415Y	Yes	50	40	55	44	58	47	\$4,760
287PSL1702	670	12	208Y/415Y	Yes	53	43	60	48	62	50	\$5,405

① 361 to 433 PSL (single bearing) or PDL (double bearing) models are the alternate to CSL models and have equivalent performance and dimensions.

② PMG Option available as build-up only.

③ Specialty and two bearing orders utilize these windings in place of 280 frame CSL models.

④ All MagnaPlus models have linkboard as standard.

Notes A, B, C, D, E, and F on page 51 apply to this page.

1500 RPM
 NEMA Class H Insulation
 40°C Ambient
 0.8 Power Factor Lagging
 DVR®2000E+ AVR with PMG Excitation

208Y or 415Y Volts (10-12 Leads)
415Y Volts (4 Leads)
240 Volts Delta (12 Leads)

**4-Pole,
 Three Phase**

**50
 Hertz**

MAGNAMAXDVR®

Base Model	Net Wt. (lbs.)	No. of Leads	Voltage	NEMA F Cont. 105°C R/R		NEMA H Cont. 125°C R/R		NEMA H Stby. 150°C R/R		List Price
				kVA	kW	kVA	kW	kVA	kW	
431RSL4005	1280	12	208Y/415Y	136	109	145	116	151	121	\$9,370
431RSL4007	1370	12	208Y/415Y	155	124	164	131	173	138	\$9,805
432RSL4009	1550	12	208Y/415Y	189	151	203	162	214	171	\$10,385
432RSL4011	1570	12	208Y/415Y	208	166	221	177	234	187	\$10,885
432RSL4013	1600	12	208Y/415Y	231	185	244	195	255	204	\$11,180
432RSL4015	1810	12	208Y/415Y	253	202	275	220	290	232	\$11,975
432RSL4017	1830	12	208Y/415Y	258	206	278	222	294	235	\$13,340
433RSL4019	2340	12	208Y/415Y	338	270	363	290	394	315	\$14,845
433RSL4021	2365	12	208Y/415Y	366	293	394	315	413	330	\$15,725
572RSL4024	2730	10	208Y/415Y	413	330	444	355	475	380	\$17,140
572RSL4025	2730	12	208Y/415Y	413	330	444	355	475	380	\$17,435
572RSL4027	2840	12	208Y/415Y	469	375	500	400	531	425	\$17,735
572RSL4028	3050	10	208Y/415Y	500	400	531	425	563	450	\$19,470
572RSL4029	3050	12	208Y/415Y	500	400	531	425	563	450	\$19,750
572RSL4030	3110	10	208Y/415Y	550	440	581	465	625	500	\$20,195
572RSL4031	3110	12	208Y/415Y	550	440	581	465	625	500	\$20,480
573RSL4032	3400	10	208Y/415Y	650	520	700	560	738	590	\$23,500
573RSL4033	3400	12	208Y/415Y	650	520	700	560	738	590	\$23,930
573RSL4034	3620	10	208Y/415Y	669	535	713	570	756	605	\$25,665
573RSL4035	3620	12	208Y/415Y	669	535	713	570	756	605	\$26,095
574RSL4036	4080	10	208Y/415Y	731	585	788	630	838	670	\$27,395
574RSL4037	4080	12	208Y/415Y	731	585	788	630	838	670	\$27,835
741RSL4045	5490	12	208Y/415Y	969	775	1038	830	1106	885	\$35,765
742RSL4049	6300	12	208Y/415Y	1131	905	1219	975	1300	1040	\$44,710
Single Voltage Only										
574RSL4038	4240	4	415Y Only	825	660	888	710	938	750	\$28,835
575RSL4044	5000	4 Bars	415Y Only	963	770	1013	810	1056	845	\$32,310
740RSL4046	5200	4 Bars	415Y Only	1106	885	1188	950	1275	1020	\$37,930
742RSL4048	6300	4 Bars	415Y Only	1131	905	1219	975	1300	1040	\$41,825
742RSL4050	7230	4 Bars	415Y Only	1438	1150	1538	1230	1638	1310	\$45,715
743RSL4052	7800	4 Bars	415Y Only	1500	1200	1600	1280	1725	1380	\$53,355
744RSL4054	8600	4 Bars	415Y Only	1725	1380	1875	1500	2013	1610	\$57,680
744RSL4056	9740	4 Bars	415Y Only	1963	1570	2125	1700	2275	1820	\$64,890
744RSL4058	9740	4 Bars	415Y Only	2038	1630	2225	1780	2400	1920	\$67,775
Form Wound Coil Designs										
744FSL4060	7300	4 Bars	415Y Only	1425	1140	1550	1240	1650	1320	\$51,915
744FSL4062	8300	4 Bars	415Y Only	1750	1400	1900	1520	2025	1620	\$62,010

Notes A, B, C, D, E, and F on page 51 apply to this page.

**50
Hertz****4-Pole,
Three Phase****190Y or 380Y Volts (12 Leads)
220 or 110 Volts Delta
(12 Leads)**1500 RPM
NEMA Class H Insulation
40°C Ambient
0.8 Power Factor Lagging
Shunt (Non-PMG) Excitation
SE350 AVR**MAGNAPLUS** Standard Models

Base Model	Net Wt. (lbs.)	No. of Leads ④	Voltage	Bolt-on PMG Option Avail.	NEMA F Cont. 105°C R/R		NEMA H Cont. 125°C R/R		NEMA H Stby. 150°C R/R		List Price
					kVA	kW	kVA	kW	kVA	kW	
281CSL1502	220	12	190Y/380Y	No	11.3	9	12	9.6	12.5	10	\$2,670
282PSL1703③	240	12	190Y/380Y	②	13.8	11	13.8	11	15	12	\$2,810
282CSL1504	250	12	190Y/380Y	No	16.3	13	17.5	14	18.8	15	\$2,955
282CSL1505	275	12	190Y/380Y	No	22.5	18	25	20	26.3	21	\$3,175
283CSL1506	310	12	190Y/380Y	No	25	20	26	21	28	23	\$3,535
283CSL1507	350	12	190Y/380Y	No	28	23	31	25	33	27	\$3,820
284CSL1508	405	12	190Y/380Y	No	36	29	40	32	42	34	\$4,180
284CSL1542	420	12	190Y/380Y	No	37	30	41	33	43	35	\$4,335
361CSL1600①	518	12	190Y/380Y	Yes	44	35	45	36	50	40	\$4,390
361CSL1601①	569	12	190Y/380Y	Yes	54	43	58	46	63	50	\$4,760
361CSL1602①	620	12	190Y/380Y	Yes	65	52	70	56	75	60	\$5,405
362CSL1604①	706	12	190Y/380Y	Yes	80	64	85	68	91	73	\$5,840
362CSL1606①	796	12	190Y/380Y	Yes	94	75	100	80	110	88	\$6,700
363CSL1607①	943	12	190Y/380Y	Yes	113	90	130	104	133	106	\$7,210
431CSL6202①	1220	12	190Y/380Y	Yes	143	114	151	121	160	128	\$8,145
431CSL6204①	1310	12	190Y/380Y	Yes	166	133	176	141	185	148	\$8,940
431CSL6206①	1415	12	190Y/380Y	Yes	200	160	211	169	225	180	\$9,890
431CSL6208①	1455	12	190Y/380Y	Yes	210	168	225	180	235	188	\$10,450
432CSL6210①	1685	12	190Y/380Y	Yes	256	205	275	220	290	232	\$11,035
432CSL6212①	1760	12	190Y/380Y	Yes	270	216	300	240	303	242	\$12,480
433CSL6216①	2235	12	190Y/380Y	Yes	345	276	370	296	390	312	\$13,990
433CSL6220①	2245	12	190Y/380Y	Yes	375	300	400	320	423	338	\$14,845

MAGNAPLUS Alternate Models③

281PSL1722	225	12	190Y/380Y	②	10.6	8.5	11.3	9	12	9.6	\$2,670
282PSL1704	270	12	190Y/380Y	②	14.4	11.5	16.3	13	17.5	14	\$2,955
282PSL1705	295	12	190Y/380Y	②	18.8	15	21.3	17	22.5	18	\$3,175
283PSL1706	336	12	190Y/380Y	②	25	20	27	22	28	23	\$3,535
283PSL1707	366	12	190Y/380Y	②	26	21	30	24	32	26	\$3,820
284PSL1708	405	12	190Y/380Y	Yes	32	26	35	28	38	31	\$4,180
284PSL1742	436	12	190Y/380Y	Yes	35	28	40	32	42	34	\$4,335
285PSL1700	480	12	190Y/380Y	Yes	41	33	46	37	50	40	\$4,390
286PSL1701	600	12	190Y/380Y	Yes	50	40	55	44	58	47	\$4,760
287PSL1702	670	12	190Y/380Y	Yes	53	43	60	48	62	50	\$5,405

① 361 to 433 PSL (single bearing) or PDL (double bearing) models are the alternate to CSL models and have equivalent performance and dimensions.

② PMG Option available as build-up only.

③ Specialty and two bearing orders utilize these windings in place of 280 frame CSL models.

④ All MagnaPlus models have linkboard as standard.

Notes A, B, C, D, E, and F on page 51 apply to this page.

1500 RPM
NEMA Class H Insulation
40°C Ambient
0.8 Power Factor Lagging
DVR®2000E+ AVR with PMG Excitation

190Y or 380Y Volts
(10-12 Leads)
380Y Volts (4-6 Leads)
220 or 110 Volts Delta (12 Leads)

**4-Pole,
Three Phase**

**50
Hertz**



Base Model	Net Wt. (lbs.)	No. of Leads	Voltage	NEMA F Cont. 105°C R/R		NEMA H Cont. 125°C R/R		NEMA H Stby. 150°C R/R		List Price
				kVA	kW	kVA	kW	kVA	kW	
431RSL4005	1280	12	190Y/380Y	141	113	149	119	159	127	\$9,370
431RSL4007	1370	12	190Y/380Y	159	127	168	134	180	144	\$9,805
432RSL4009	1550	12	190Y/380Y	208	166	219	175	224	179	\$10,385
432RSL4011	1570	12	190Y/380Y	218	174	231	185	243	194	\$10,885
432RSL4013	1600	12	190Y/380Y	233	186	244	195	254	203	\$11,180
432RSL4015	1810	12	190Y/380Y	276	221	294	235	300	240	\$11,975
432RSL4017	1830	12	190Y/380Y	281	225	298	238	314	251	\$13,340
433RSL4019	2340	12	190Y/380Y	356	285	375	300	406	325	\$14,845
433RSL4021	2365	12	190Y/380Y	369	295	394	315	425	340	\$15,725
572RSL4024	2730	10	190Y/380Y	469	375	500	400	506	405	\$17,140
572RSL4025	2730	12	190Y/380Y	469	375	500	400	506	405	\$17,435
572RSL4027	2840	12	190Y/380Y	475	380	500	400	544	435	\$17,735
572RSL4028	3050	10	190Y/380Y	550	440	588	470	600	480	\$19,470
572RSL4029	3050	12	190Y/380Y	550	440	588	470	600	480	\$19,750
572RSL4030	3110	10	190Y/380Y	563	450	600	480	644	515	\$20,195
572RSL4031	3110	12	190Y/380Y	563	450	600	480	644	515	\$20,480
573RSL4032	3400	10	190Y/380Y	700	560	750	600	775	620	\$23,500
573RSL4033	3400	12	190Y/380Y	700	560	750	600	775	620	\$23,930
573RSL4034	3620	10	190Y/380Y	738	590	781	625	819	655	\$25,665
573RSL4035	3620	12	190Y/380Y	738	590	781	625	819	655	\$26,095
574RSL4036	4080	10	190Y/380Y	769	615	819	655	888	710	\$27,395
574RSL4037	4080	12	190Y/380Y	769	615	819	655	888	710	\$27,835
741RSL4045	5490	12	190Y/380Y	1000	800	1056	845	1144	915	\$35,765
742RSL4049	6300	12	190Y/380Y	1181	945	1250	1000	1338	1070	\$44,710
Single Voltage Only										
574RSL4038	4240	4	380Y Only	831	665	888	710	956	765	\$28,835
575RSL4044	5000	4 Bars	380Y Only	963	770	1031	825	1138	910	\$32,310
740RSL4046	5200	4 Bars	380Y Only	1125	900	1200	960	1300	1040	\$37,930
742RSL4048	6300	4 Bars	380Y Only	1181	945	1250	1000	1338	1070	\$41,825
742RSL4050	7230	4 Bars	380Y Only	1363	1090	1463	1170	1563	1250	\$45,715
743RSL4052	7800	4 Bars	380Y Only	1650	1320	1775	1420	1850	1480	\$53,355
744RSL4054	8600	4 Bars	380Y Only	1750	1400	1875	1500	1988	1590	\$57,680
744RSL4056	9740	4 Bars	380Y Only	2063	1650	2200	1760	2400	1920	\$64,890
744RSL4058	9740	4 Bars	380Y Only	2013	1610	2150	1720	2337	1870	\$67,775
Form Wound Coil Designs										
744FSL4060	7300	4 Bars	380Y Only	1450	1160	1563	1250	1650	1320	\$51,915
744FSL4062	8300	4 Bars	380Y Only	1725	1380	1875	1500	1963	1570	\$62,010



Base Model	Net Wt. (lbs.)	No. of Leads	Voltage	Continuous						Standby				List Price
				NEMA B 80°C R/R		NEMA F 105°C R/R		NEMA H 125°C R/R		NEMA F 130°C R/R		NEMA H 150°C R/R		
				kVA	kW	kVA	kW	kVA	kW	kVA	kW	kVA	kW	
1020FDL1100	15000	6	380Y Only	1938	1550	2225	1780	2225	1780	2225	1780	2225	1780	\$149,250
1020FDL1102	15900	6	380Y Only	2000	1600	2300	1840	2300	1840	2300	1840	2300	1840	\$164,400
1020FDL1104	16300	6	380Y Only	2225	1780	2550	2040	2550	2040	2550	2040	2550	2040	\$167,695
1020FDL1106	17000	6	380Y Only	2250	1800	2813	2250	2850	2280	2850	2280	2850	2280	\$172,330
1020FDL1108	17400	6	380Y Only	2450	1960	2900	2320	2925	2340	2925	2340	2925	2340	\$207,660
1030FDL1110	20500	6	380Y Only	2625	2100	3125	2500	3263	2610	3338	2670	3338	2670	\$238,760

① All 1000 frame generators have 4 bus bars, with the capability of differential protection.
② All 1000 frame generators incorporate form wound coils and VPI insulation systems.
Notes A, B, C, D, E, and F on page 51 apply to this page.



**50
Hertz****4-Pole,
Three Phase****220Y or 440Y Volts
(12 Leads)**1500 RPM
NEMA Class H Insulation
40°C Ambient
0.8 Power Factor Lagging
Shunt (Non-PMG) Excitation
SE350 AVR**MAGNAPLUS®** Standard Models

Base Model	Net Wt. (lbs.)	No. of Leads ④	Voltage	Bolt-on PMG Option Avail.	NEMA F Cont. 105°C R/R		NEMA H Cont. 125°C R/R		NEMA H Stby. 150°C R/R		List Price
					kVA	kW	kVA	kW	kVA	kW	
281CSL1502	220	12	220Y/440Y	No	9.6	7.7	10	8	10.5	8.4	\$2,670
282PSL1703③	240	12	220Y/440Y	②	10.3	8.2	12	9.6	12.5	10	\$2,810
282CSL1504	250	12	220Y/440Y	No	13	10.4	14	11.2	15	12	\$2,955
282CSL1505	275	12	220Y/440Y	No	17	13.6	18.5	14.8	20	16	\$3,175
283CSL1506	310	12	220Y/440Y	No	18	14.4	20	16	22	17.6	\$3,535
283CSL1507	350	12	220Y/440Y	No	22	17.6	24	19.2	26	20.8	\$3,820
284CSL1508	405	12	220Y/440Y	No	25	20	27	22	30	24	\$4,180
361CSL1600①	518	12	220Y/440Y	Yes	41	32	45	36	47	38	\$4,390
361CSL1601①	569	12	220Y/440Y	Yes	45	36	51	41	54	43	\$4,760
361CSL1602①	620	12	220Y/440Y	Yes	51	41	56	45	60	48	\$5,405
362CSL1604①	706	12	220Y/440Y	Yes	75	60	81	65	88	70	\$5,840
362CSL1606①	796	12	220Y/440Y	Yes	81	65	90	72	100	80	\$6,700
363CSL1607①	943	12	220Y/440Y	Yes	101	81	113	90	119	95	\$7,210
431CSL6202①	1220	12	220Y/440Y	Yes	130	104	140	112	150	120	\$8,145
431CSL6204①	1310	12	220Y/440Y	Yes	151	121	163	130	173	138	\$8,940
431CSL6206①	1415	12	220Y/440Y	Yes	161	129	176	141	190	152	\$9,890
431CSL6208①	1455	12	220Y/440Y	Yes	195	156	210	168	225	180	\$10,450
432CSL6210①	1685	12	220Y/440Y	Yes	210	168	230	184	250	200	\$11,035
432CSL6212①	1760	12	220Y/440Y	Yes	260	208	280	224	300	240	\$12,480
433CSL6216①	2235	12	220Y/440Y	Yes	265	212	300	240	326	261	\$13,990
433CSL6220①	2245	12	220Y/440Y	Yes	310	248	343	274	371	297	\$14,845

MAGNAPLUS® Alternate Models③

281PSL1722	225	12	220Y/440Y	②	6.9	5.5	7.5	6	7.9	6.3	\$2,670
282PSL1704	270	12	220Y/440Y	②	10	8	10.5	8.4	11.5	9.2	\$2,955
282PSL1705	295	12	220Y/440Y	②	12.5	10	15	12	15.6	12.5	\$3,175
283PSL1706	336	12	220Y/440Y	②	17.5	14	20	16	20.6	16.5	\$3,535
283PSL1707	366	12	220Y/440Y	②	22.5	18	25	20	26.3	21	\$3,820
284PSL1708	405	12	220Y/440Y	Yes	22	18	25	20	27	22	\$4,180
284PSL1742	436	12	220Y/440Y	Yes	27	22	31	25	32	26	\$4,335
285PSL1700	480	12	220Y/440Y	Yes	31	25	35	28	38	31	\$4,390
286PSL1701	600	12	220Y/440Y	Yes	45	36	50	40	52	42	\$4,760
287PSL1702	670	12	220Y/440Y	Yes	47	38	53	43	56	45	\$5,405

① 361 to 433 PSL (single bearing) or PDL (double bearing) models are the alternate to CSL models and have equivalent performance and dimensions.

② PMG Option available as build-up only.

③ Specialty and two bearing orders utilize these windings in place of 280 frame CSL models.

④ All MagnaPlus models have linkboard as standard.

Notes A, B, C, D, E, and F on page 51 apply to this page.

1500 RPM
 NEMA Class H Insulation
 40°C Ambient
 0.8 Power Factor Lagging
 DVR®2000E+ AVR with PMG Excitation

**220Y or 440Y Volts
 (10-12 Leads)
 440Y Volts (4 Leads)**

**4-Pole,
 Three Phase**

**50
 Hertz**



Base Model	Net Wt. (lbs.)	No. of Leads	Voltage	NEMA F Cont. 105°C R/R		NEMA H Cont. 125°C R/R		NEMA H Stby. 150°C R/R		List Price
				kVA	kW	kVA	kW	kVA	kW	
431RSL4005	1280	12	220Y/440Y	120	96	130	104	138	110	\$9,370
431RSL4007	1370	12	220Y/440Y	131	105	141	113	151	121	\$9,805
432RSL4009	1550	12	220Y/440Y	155	124	169	135	181	145	\$10,385
432RSL4011	1570	12	220Y/440Y	185	148	200	160	214	171	\$10,885
432RSL4013	1600	12	220Y/440Y	216	173	229	183	239	191	\$11,180
432RSL4015	1810	12	220Y/440Y	206	165	229	183	248	198	\$11,975
432RSL4017	1830	12	220Y/440Y	224	179	245	196	264	211	\$13,340
433RSL4019	2340	12	220Y/440Y	256	205	288	230	325	260	\$14,845
433RSL4021	2365	12	220Y/440Y	326	261	358	286	388	310	\$15,725
572RSL4024	2730	10	220Y/440Y	331	265	363	290	394	315	\$17,140
572RSL4025	2730	12	220Y/440Y	331	265	363	290	394	315	\$17,435
572RSL4027	2840	12	220Y/440Y	381	305	419	335	444	355	\$17,735
572RSL4028	3050	10	220Y/440Y	363	290	406	325	444	355	\$19,470
572RSL4029	3050	12	220Y/440Y	363	290	406	325	444	355	\$19,750
572RSL4030	3110	10	220Y/440Y	469	375	519	415	563	450	\$20,195
572RSL4031	3110	12	220Y/440Y	469	375	519	415	563	450	\$20,480
573RSL4032	3400	10	220Y/440Y	556	445	606	485	656	525	\$23,500
573RSL4033	3400	12	220Y/440Y	556	445	606	485	656	525	\$23,930
573RSL4034	3620	10	220Y/440Y	513	410	569	455	619	495	\$25,665
573RSL4035	3620	12	220Y/440Y	513	410	569	455	619	495	\$26,095
574RSL4036	4080	10	220Y/440Y	569	455	631	505	688	550	\$27,395
574RSL4037	4080	12	220Y/440Y	569	455	631	505	688	550	\$27,835
741RSL4045	5490	12	220Y/440Y	806	645	888	710	963	770	\$35,765
742RSL4049	6300	12	220Y/440Y	938	750	1031	825	1113	890	\$44,710
Single Voltage Only										
574RSL4038	4240	4	440Y Only	725	580	794	635	850	680	\$28,835
575RSL4044	5000	4 Bars	440Y Only	681	545	781	625	875	700	\$32,310
740RSL4046	5200	4 Bars	440Y Only	913	730	1000	800	1094	875	\$37,930
742RSL4048	6300	4 Bars	440Y Only	938	750	1031	825	1113	890	\$41,825
742RSL4050	7230	4 Bars	440Y Only	1350	1080	1463	1170	1563	1250	\$45,715
743RSL4052	7800	4 Bars	440Y Only	1119	895	1263	1010	1388	1110	\$53,355
744RSL4054	8600	4 Bars	440Y Only	1363	1090	1550	1240	1713	1370	\$57,680
744RSL4056	9740	4 Bars	440Y Only	1575	1260	1763	1410	1925	1540	\$64,890
744RSL4058	9740	4 Bars	440Y Only	1538	1230	1725	1380	1875	1500	\$67,775
Form Wound Coil Designs										
744FSL4060	7300	4 Bars	440Y Only	1350	1080	1475	1180	1588	1270	\$51,915
744FSL4062	8300	4 Bars	440Y Only	1575	1260	1725	1380	1863	1490	\$62,010

Notes A, B, C, D, E, and F on page 51 apply to this page.



**50
Hertz****4-Pole,
Three Phase****200Y or 400Y Volts
(12 Leads)
230 Volts Delta (12 Leads)**1500 RPM
NEMA Class H Insulation
40°C Ambient
0.8 Power Factor Lagging
Shunt (Non-PMG) Excitation
SE350 AVR**MAGNAPLUS** Standard Models

Base Model	Net Wt. (lbs.)	No. of Leads ④	Voltage	Bolt-on PMG Option Avail.	NEMA F Cont. 105°C R/R		NEMA H Cont. 125°C R/R		NEMA H Stby. 150°C R/R		List Price
					kVA	kW	kVA	kW	kVA	kW	
281CSL1502	220	12	200Y/400Y	No	11.7	9.3	12.3	9.8	12.9	10.3	\$2,670
282PSL1703③	240	12	200Y/400Y	Ⓜ	12.5	10	13.8	11	15	12	\$2,810
282CSL1504	250	12	200Y/400Y	No	16.3	13	17.5	14	18.8	15	\$2,955
282CSL1505	275	12	200Y/400Y	No	21.8	17.4	23.9	19.1	25	20	\$3,175
283CSL1506	310	12	200Y/400Y	No	25	20	26	21	28	23	\$3,535
283CSL1507	350	12	200Y/400Y	No	28	22	30	24	33	26	\$3,820
284CSL1508	405	12	200Y/400Y	No	33	27	37	30	40	32	\$4,180
284CSL1542	420	12	200Y/400Y	No	37	30	41	33	45	36	\$4,335
361CSL1600①	518	12	200Y/400Y	Yes	44	36	48	38	51	41	\$4,390
361CSL1601①	569	12	200Y/400Y	Yes	52	42	57	46	61	49	\$4,760
361CSL1602①	620	12	200Y/400Y	Yes	63	50	68	54	75	60	\$5,405
362CSL1604①	706	12	200Y/400Y	Yes	81	65	88	70	94	75	\$5,840
362CSL1606①	796	12	200Y/400Y	Yes	94	75	100	80	110	88	\$6,700
363CSL1607①	943	12	200Y/400Y	Yes	113	90	130	104	133	106	\$7,210
431CSL6202①	1220	12	200Y/400Y	Yes	141	113	150	120	160	128	\$8,145
431CSL6204①	1310	12	200Y/400Y	Yes	165	132	175	140	185	148	\$8,940
431CSL6206①	1415	12	200Y/400Y	Yes	193	154	206	165	220	176	\$9,890
431CSL6208①	1455	12	200Y/400Y	Yes	210	168	225	180	235	188	\$10,450
432CSL6210①	1685	12	200Y/400Y	Yes	251	201	270	216	285	228	\$11,035
432CSL6212①	1760	12	200Y/400Y	Yes	271	217	300	240	306	245	\$12,480
433CSL6216①	2235	12	200Y/400Y	Yes	331	265	360	288	385	308	\$13,990
433CSL6220①	2245	12	200Y/400Y	Yes	368	294	400	320	420	336	\$14,845

MAGNAPLUS Alternate Models③

281PSL1722	225	12	200Y/400Y	Ⓜ	9.8	7.8	10.4	8.3	11.1	8.9	\$2,670
282PSL1704	270	12	200Y/400Y	Ⓜ	13.8	11	15	12	16.3	13	\$2,955
282PSL1705	295	12	200Y/400Y	Ⓜ	17.5	14	20	16	21.3	17	\$3,175
283PSL1706	336	12	200Y/400Y	Ⓜ	23	19	26	21	27	22	\$3,535
283PSL1707	366	12	200Y/400Y	Ⓜ	26	21	30	24	32	26	\$3,820
284PSL1708	405	12	200Y/400Y	Yes	30	24	33	27	36	29	\$4,180
284PSL1742	436	12	200Y/400Y	Yes	33	27	38	31	41	33	\$4,335
285PSL1700	480	12	200Y/400Y	Yes	40	32	43	35	47	38	\$4,390
286PSL1701	600	12	200Y/400Y	Yes	50	40	55	44	58	47	\$4,760
287PSL1702	670	12	200Y/400Y	Yes	53	43	60	48	62	50	\$5,405

① 361 to 433 PSL (single bearing) or PDL (double bearing) models are the alternate to CSL models and have equivalent performance and dimensions.

② PMG Option available as build-up only.

③ Specialty and two bearing orders utilize these windings in place of 280 frame CSL models.

④ All MagnaPlus models have linkboard as standard.

Notes A, B, C, D, E, and F on page 51 apply to this page.

1500 RPM
 NEMA Class H Insulation
 40°C Ambient
 0.8 Power Factor Lagging
 DVR®2000E+ AVR with PMG Excitation

200Y or 400Y Volts
 (10-12 Leads)
400Y Volts (4 Leads)
230 Volts Delta (12 Leads)

4-Pole,
Three Phase

50
Hertz

MAGNAMAX^{DVR}

Base Model	Net Wt. (lbs.)	No. of Leads	Voltage	NEMA F Cont. 105°C R/R		NEMA H Cont. 125°C R/R		NEMA H Stby. 150°C R/R		List Price
				kVA	kW	kVA	kW	kVA	kW	
431RSL4005	1280	12	200Y/400Y	143	114	151	121	158	126	\$9,370
431RSL4007	1370	12	200Y/400Y	161	129	170	136	179	143	\$9,805
432RSL4009	1550	12	200Y/400Y	200	160	214	171	225	180	\$10,385
432RSL4011	1570	12	200Y/400Y	218	174	231	185	243	194	\$10,885
432RSL4013	1600	12	200Y/400Y	231	185	244	195	253	202	\$11,180
432RSL4015	1810	12	200Y/400Y	268	214	286	229	303	242	\$11,975
432RSL4017	1830	12	200Y/400Y	270	216	289	231	305	244	\$13,340
433RSL4019	2340	12	200Y/400Y	344	275	369	295	406	325	\$14,845
433RSL4021	2365	12	200Y/400Y	375	300	400	320	425	340	\$15,725
572RSL4024	2730	10	200Y/400Y	450	360	475	380	506	405	\$17,140
572RSL4025	2730	12	200Y/400Y	450	360	475	380	506	405	\$17,435
572RSL4027	2840	12	200Y/400Y	494	395	519	415	550	440	\$17,735
572RSL4028	3050	10	200Y/400Y	531	425	569	455	600	480	\$19,470
572RSL4029	3050	12	200Y/400Y	531	425	569	455	600	480	\$19,750
572RSL4030	3110	10	200Y/400Y	563	450	600	480	638	510	\$20,195
572RSL4031	3110	12	200Y/400Y	563	450	600	480	638	510	\$20,480
573RSL4032	3400	10	200Y/400Y	688	550	725	580	763	610	\$23,500
573RSL4033	3400	12	200Y/400Y	688	550	725	580	763	610	\$23,930
573RSL4034	3620	10	200Y/400Y	706	565	750	600	794	635	\$25,665
573RSL4035	3620	12	200Y/400Y	706	565	750	600	794	635	\$26,095
574RSL4036	4080	10	200Y/400Y	794	635	850	680	894	715	\$27,395
574RSL4037	4080	12	200Y/400Y	794	635	850	680	894	715	\$27,835
741RSL4045	5490	12	200Y/400Y	1038	830	1100	880	1181	945	\$35,765
742RSL4049	6300	12	200Y/400Y	1200	960	1288	1030	1363	1090	\$44,710
Single Voltage Only										
574RSL4038	4240	4	400Y Only	850	680	913	730	963	770	\$28,835
575RSL4044	5000	4 Bars	400Y Only	963	770	1038	830	1144	915	\$32,310
740RSL4046	5200	4 Bars	400Y Only	1150	920	1225	980	1338	1070	\$37,930
742RSL4048	6300	4 Bars	400Y Only	1200	960	1288	1030	1363	1090	\$41,825
742RSL4050	7230	4 Bars	400Y Only	1450	1160	1550	1240	1638	1310	\$45,715
743RSL4052	7800	4 Bars	400Y Only	1550	1240	1688	1350	1813	1450	\$53,355
744RSL4054	8600	4 Bars	400Y Only	1788	1430	1925	1540	2038	1630	\$57,680
744RSL4056	9740	4 Bars	400Y Only	2113	1690	2288	1830	2450	1960	\$64,890
744RSL4058	9740	4 Bars	400Y Only	2089	1670	2238	1790	2438	1950	\$67,775
Form Wound Coil Designs										
744FSL4060	7300	4 Bars	400Y Only	1438	1150	1550	1240	1663	1330	\$51,915
744FSL4062	8300	4 Bars	400Y Only	1763	1410	1900	1520	2013	1610	\$62,010

Notes A, B, C, D, E, and F on page 51 apply to this page.

**50
Hertz****4-Pole,
Three Phase,
Broad Range****190Y-208Y or
380Y-415Y Volts
(12 Leads)**1500 RPM
NEMA Class H Insulation
40°C Ambient
0.8 Power Factor Lagging
Shunt (Non-PMG) Excitation
SE350 AVR**MAGNAPLUS** Standard Models

Base Model	Net Wt. (lbs.)	No. of Leads ③	Voltage	Bolt-on PMG Option Avail.	NEMA F Cont. 105°C R/R		NEMA H Cont. 125°C R/R		NEMA H Stby. 150°C R/R		List Price
					kVA	kW	kVA	kW	kVA	kW	
281CSL1502	220	12	190Y-208Y/380Y-415Y	No	11.3	9	12	9.6	12.5	10	\$2,670
282PSL1703③	240	12	190Y-208Y/380Y-415Y	②	12	9.6	13.1	10.5	14.4	11.5	\$2,810
282CSL1504	250	12	190Y-208Y/380Y-415Y	No	16.3	13	17.5	14	18.8	15	\$2,955
282CSL1505	275	12	190Y-208Y/380Y-415Y	No	21.3	17	23.1	18.5	25	20	\$3,175
283CSL1506	310	12	190Y-208Y/380Y-415Y	No	22	18	25	20	27	22	\$3,535
283CSL1507	350	12	190Y-208Y/380Y-415Y	No	27	22	30	24	32	26	\$3,820
284CSL1508	405	12	190Y-208Y/380Y-415Y	No	31	25	35	28	37	30	\$4,180
284CSL1542	420	12	190Y-208Y/380Y-415Y	No	36	29	40	32	42	34	\$4,335
361CSL1600①	518	12	190Y-208Y/380Y-415Y	Yes	44	35	45	36	50	40	\$4,390
361CSL1601①	569	12	190Y-208Y/380Y-415Y	Yes	50	40	56	45	60	48	\$4,760
361CSL1602②	620	12	190Y-208Y/380Y-415Y	Yes	60	48	65	52	73	58	\$5,405
362CSL1604①	706	12	190Y-208Y/380Y-415Y	Yes	80	64	85	68	91	73	\$5,840
362CSL1606①	796	12	190Y-208Y/380Y-415Y	Yes	90	72	100	80	110	88	\$6,700
363CSL1607①	943	12	190Y-208Y/380Y-415Y	Yes	113	90	130	104	133	106	\$7,210
431CSL6202①	1220	12	190Y-208Y/380Y-415Y	Yes	140	112	150	120	155	124	\$8,145
431CSL6204①	1310	12	190Y-208Y/380Y-415Y	Yes	165	132	175	140	183	146	\$8,940
431CSL6206①	1415	12	190Y-208Y/380Y-415Y	Yes	185	148	200	160	211	169	\$9,890
431CSL6208①	1455	12	190Y-208Y/380Y-415Y	Yes	206	165	225	180	235	188	\$10,450
432CSL6210①	1685	12	190Y-208Y/380Y-415Y	Yes	240	192	260	208	275	220	\$11,035
432CSL6212①	1760	12	190Y-208Y/380Y-415Y	Yes	270	216	300	240	303	242	\$12,480
433CSL6216①	2235	12	190Y-208Y/380Y-415Y	Yes	320	256	350	280	375	300	\$13,990
433CSL6220①	2245	12	190Y-208Y/380Y-415Y	Yes	355	284	400	320	410	328	\$14,845

MAGNAPLUS Alternate Models③

281PSL1722	225	12	190Y-208Y/380Y-415Y	②	9	7.2	9.8	7.8	10.5	8.4	\$2,670
282PSL1704	270	12	190Y-208Y/380Y-415Y	②	12.5	10	13.8	11	15	12	\$2,955
282PSL1705	295	12	190Y-208Y/380Y-415Y	②	16.3	13	18.8	15	20	16	\$3,175
283PSL1706	336	12	190Y-208Y/380Y-415Y	②	22	18	25	20	26	21	\$3,535
283PSL1707	366	12	190Y-208Y/380Y-415Y	②	26	21	30	24	32	26	\$3,820
284PSL1708	405	12	190Y-208Y/380Y-415Y	Yes	28	23	32	26	35	28	\$4,180
284PSL1742	436	12	190Y-208Y/380Y-415Y	Yes	33	27	37	30	40	32	\$4,335
285PSL1700	480	12	190Y-208Y/380Y-415Y	Yes	37	30	42	34	45	36	\$4,390
286PSL1701	600	12	190Y-208Y/380Y-415Y	Yes	50	40	55	44	58	47	\$4,760
287PSL1702	670	12	190Y-208Y/380Y-415Y	Yes	53	43	60	48	62	50	\$5,405

① 361 to 433 PSL (single bearing) or PDL (double bearing) models are the alternate to CSL models and have equivalent performance and dimensions.

② PMG Option available as build-up only.

③ Specialty and two bearing orders utilize these windings in place of 280 frame CSL models.

④ All MagnaPlus models have linkboard as standard.

Notes A, B, C, D, E, and F on page 51 apply to this page.

1500 RPM
 NEMA Class H Insulation
 40°C Ambient
 0.8 Power Factor Lagging
 DVR®2000E+ AVR with PMG Excitation

**190Y-208Y or
 380Y-415Y Volts
 (10-12 Leads)**

**4-Pole,
 Three Phase,
 Broad Range**

**50
 Hertz**



Base Model	Net Wt. (lbs.)	No. of Leads	Voltage	NEMA F Cont. 105°C R/R		NEMA H Cont. 125°C R/R		NEMA H Stby. 150°C R/R		List Price
				kVA	kW	kVA	kW	kVA	kW	
431RSL4005	1280	12	190Y-208Y/380Y-415Y	136	109	145	116	151	121	\$9,370
431RSL4007	1370	12	190Y-208Y/380Y-415Y	155	124	164	131	173	138	\$9,805
432RSL4009	1550	12	190Y-208Y/380Y-415Y	189	151	203	162	214	171	\$10,385
432RSL4011	1570	12	190Y-208Y/380Y-415Y	208	166	221	177	234	187	\$10,885
432RSL4013	1600	12	190Y-208Y/380Y-415Y	231	185	244	195	253	202	\$11,180
432RSL4015	1810	12	190Y-208Y/380Y-415Y	253	202	275	220	290	232	\$11,975
432RSL4017	1830	12	190Y-208Y/380Y-415Y	258	206	278	222	294	235	\$13,340
433RSL4019	2340	12	190Y-208Y/380Y-415Y	338	270	363	290	394	315	\$14,845
433RSL4021	2365	12	190Y-208Y/380Y-415Y	366	293	394	315	413	330	\$15,725
572RSL4024	2730	10	190Y-208Y/380Y-415Y	413	330	444	355	475	380	\$17,140
572RSL4025	2730	12	190Y-208Y/380Y-415Y	413	330	444	355	475	380	\$17,435
572RSL4027	2840	12	190Y-208Y/380Y-415Y	469	375	500	400	531	425	\$17,735
572RSL4028	3050	10	190Y-208Y/380Y-415Y	500	400	531	425	563	450	\$19,470
572RSL4029	3050	12	190Y-208Y/380Y-415Y	500	400	531	425	563	450	\$19,750
572RSL4030	3110	10	190Y-208Y/380Y-415Y	550	440	581	465	625	500	\$20,195
572RSL4031	3110	12	190Y-208Y/380Y-415Y	550	440	581	465	625	500	\$20,480
573RSL4032	3400	10	190Y-208Y/380Y-415Y	650	520	700	560	738	590	\$23,500
573RSL4033	3400	12	190Y-208Y/380Y-415Y	650	520	700	560	738	590	\$23,930
573RSL4034	3620	10	190Y-208Y/380Y-415Y	669	535	713	570	756	605	\$25,665
573RSL4035	3620	12	190Y-208Y/380Y-415Y	669	535	713	570	756	605	\$26,095
574RSL4036	4080	10	190Y-208Y/380Y-415Y	731	585	788	630	838	670	\$27,395
574RSL4037	4080	12	190Y-208Y/380Y-415Y	731	585	788	630	838	670	\$27,835
741RSL4045	5490	12	190Y-208Y/380Y-415Y	969	775	1038	830	1106	885	\$35,765
742RSL4049	6300	12	190Y-208Y/380Y-415Y	1131	905	1219	975	1300	1040	\$44,710

Notes A, B, C, D, E, and F on page 51 apply to this page.



**50
Hertz**

**4-Pole,
Single Phase**

**220/110 Volts (12 Leads)®
440/220 Volts (12 Leads)®
110 Volts Delta
(12 Leads)**

1500 RPM
NEMA Class H Insulation
40°C Ambient

MAGNAPLUS® Standard Models®®, SE350 AVR with Shunt (Non-PMG) Excitation

Base Model	Net Wt. (lbs.)	Bolt-on PMG Option Avail.	Ratings @ 0.8 Power Factor Lagging						Ratings @ 1.0 Power Factor			List Price
			NEMA F Cont. 105°C R/R		NEMA H Cont. 125°C R/R		NEMA H Stby. 150°C R/R		NEMA F Cont. 105°C R/R	NEMA H Cont. 125°C R/R	NEMA H Stby. 150°C R/R	
			kVA	kW	kVA	kW	kVA	kW	kVA/kW	kVA/kW	kVA/kW	
281CSL1502	220	No	6.9	5.5	7.5	6	7.8	6.2	7.5	8	8.5	\$2,670
282PSL1703③	240	⊙	7.5	6	7.9	6.3	8.1	6.5	8.7	9.3	9.7	\$2,810
282CSL1504	250	No	9.4	7.5	10	8	10.6	8.5	10	11	11.5	\$2,955
282CSL1505	275	No	12.8	10.2	13.8	11	14.4	11.5	13	14	15	\$3,175
283CSL1506	310	No	14.4	11.5	16.3	13	16.9	13.5	16	18	19	\$3,535
283CSL1507	350	No	16.3	13	16.9	13.5	17.5	14	19	20	21	\$3,820
284CSL1508	405	No	20	16	22.5	18	25	20	24	26	28	\$4,180
284CSL1542	420	No	22.5	18	25	20	26.3	21	25	27	29	\$4,335
361CSL1600①	518	Yes	25	20	26	21	29	23	28	30	32	\$4,390
361CSL1601①	569	Yes	29	23	31	25	34	27	33	35	38	\$4,760
361CSL1602①	620	Yes	33	26	35	28	39	31	37	40	43	\$5,405
362CSL1604①	706	Yes	44	35	48	38	53	42	46	50	54	\$5,840
362CSL1606①	796	Yes	51	41	56	45	60	48	56	60	65	\$6,700
363CSL1607①	943	Yes	58	46	63	50	66	53	60	65	70	\$7,210
431CSL6202①	1220	Yes	90	72	95	76	100	80	90	95	100	\$8,145
431CSL6204①	1310	Yes	100	80	110	88	115	92	100	110	115	\$8,940
431CSL6206①	1415	Yes	120	96	130	104	135	108	120	130	135	\$9,890
431CSL6208①	1455	Yes	125	100	140	112	145	116	125	140	145	\$10,450
432CSL6210①	1685	Yes	150	120	165	132	170	136	150	165	170	\$11,035
432CSL6212①	1760	Yes	150	120	165	132	170	136	150	165	170	\$12,480
433CSL6216①	2235	Yes	190	152	200	160	215	172	190	200	215	\$13,990
433CSL6220①	2245	Yes	190	152	200	160	215	172	190	200	215	\$14,845

MAGNAPLUS® Alternate Models®®, SE350 AVR with Shunt (Non-PMG) Excitation

281PSL1722	225	⊙	6	4.8	6.3	5	6.5	5.2	8	8.5	9	\$2,670
282PSL1704	270	⊙	9.1	7.3	9.8	7.8	1	8	12	13	14	\$2,955
282PSL1705	295	⊙	11.3	9	12.5	10	13.1	10.5	13.5	15	16	\$3,175
283PSL1706	336	⊙	13.8	11	15	12	16.3	13	17	18	20	\$3,535
283PSL1707	366	⊙	16.9	13.5	18.1	14.5	18.8	15	19	21	23	\$3,820
284PSL1708	405	Yes	20	16	21.3	17	22.5	18	25	26	28	\$4,180
284PSL1742	436	Yes	23.8	19	26.3	21	27.5	22	27	30	32	\$4,335
285PSL1700	480	Yes	25	20	28	22	30	24	28	31	33	\$4,390
286PSL1701	600	Yes	28	22	31	25	34	27	32	35	37	\$4,760
287PSL1702	670	Yes	31	25	34	27	36	29	35	37	40	\$5,405

MAGNAMAX^{DVR}® DVR®2000E+ AVR with PMG Excitation

431RSL4005	1280	Std.	70	56	74	59	76	61	70	74	77	\$9,370
431RSL4007	1370	Std.	91	73	96	77	101	81	92	97	102	\$9,805
432RSL4009	1550	Std.	116	93	124	99	130	104	116	124	130	\$10,385
432RSL4011	1570	Std.	115	92	121	97	128	102	115	122	128	\$10,885
432RSL4013	1600	Std.	118	94	124	99	129	103	118	124	129	\$11,180
432RSL4015	1810	Std.	136	109	146	117	155	124	136	146	155	\$11,975
432RSL4017	1830	Std.	134	107	143	114	151	121	134	143	151	\$13,335
433RSL4019	2340	Std.	169	135	181	145	200	160	169	181	200	\$14,845
433RSL4021	2365	Std.	179	143	191	153	203	162	179	191	203	\$15,725

- ① 361 to 433 PSL (single bearing) or PDL (double bearing) models are the alternate to CSL models and have equivalent performance and dimensions.
- ② PMG Option available as build-up only.
- ③ Specialty and two bearing orders utilize these windings in place of 280 frame CSL models.
- ④ All MagnaPlus models have linkboard as standard.
- ⑤ For 110 volt only service, use an AVC63-4A or a VR63-4C voltage regulator to replace the standard SE350 regulator. See Modification Section for price adder.
- ⑥ 220/110 volts can be obtained by connecting in either a Low Zigzag or Double Delta; and 440/220 volts can be obtained by connecting in High Zigzag connections. (See page 60 for connection diagrams)
Notes A, B, C, D, E, and F on page 51 apply to this page.



1500 RPM
NEMA Class H Insulation
40°C Ambient
Shunt (Non-PMG) Excitation
SE350 AVR®

**220/110 Volts or
110 Volts (4 Leads)®**

**4-Pole,
Dedicated
Single Phase**

**50
Hertz**

MAGNAPLUS® Standard Models®

Base Model	Net Wt. (lbs.)	Bolt-on PMG Option Avail.	Ratings @ 0.8 Power Factor Lagging						Ratings @ 1.0 Power Factor			List Price
			NEMA F Cont. 105°C R/R		NEMA H Cont. 125°C R/R		NEMA H Stby. 150°C R/R		NEMA F Cont. 105°C R/R	NEMA H Cont. 125°C R/R	NEMA H Stby. 150°C R/R	
			kVA	kW	kVA	kW	kVA	kW	kVA/kW	kVA/kW	kVA/kW	
281CSL1513	216	No	6.6	5.3	7.1	5.7	7.5	6	9.5	10	10.5	\$2,700
282PSL1714③	236	②	6.5	5.2	7.5	6	7.9	6.3	9	9.7	10.5	\$2,825
282CSL1515	250	No	9.4	7.5	10	8	10.6	8.5	13	14	15	\$2,900
282PSL1716	288	②	10.6	8.5	11.3	9	12.5	10	16	17.5	18.5	\$3,255
283CSL1517	349	No	15.6	12.5	16.9	13.5	18.1	14.5	22	24	25	\$3,645
361CSL1611①	513	Yes	N/A	N/A	N/A	N/A	N/A	N/A	28	31	35	\$4,700
361CSL1612①	578	Yes	24	19	26	21	30	24	37	40	45	\$5,040
361CSL1613①	626	Yes	39	31	44	35	46	37	50	54	58	\$5,495
362CSL1615①	779	Yes	39	31	44	35	46	37	55	60	65	\$5,840
431PSL6222	1070	Yes	60	48	63	50	70	56	86	93	100	\$7,935
431PSL6224	1280	Yes	81	65	88	70	95	76	115	125	135	\$8,800
432PSL6228	1720	Yes	145	116	156	125	170	136	170	185	195	\$10,385

MAGNAPLUS® Alternate Models®④

281PSL1763	220	②	5	4	5.6	4.5	6	4.8	8	8.5	9	\$2,700
282PSL1715	265	②	8.1	6.5	8.8	7	9.4	7.5	12.5	13.5	14	\$2,900
283PSL1717	331	②	12	9.6	13.1	10.5	13.8	11	18	20	22	\$3,645
283PSL1718	360	②	15	12	16.3	13	17.5	14	23	25	27	\$3,935
284PSL1750	430	Yes	20	16	22	18	23	19	30	33	35	\$4,470
285PSL1711	470	Yes	21	17	25	20	26	21	30	33	37	\$4,700
286PSL1712	590	Yes	26	21	27	22	30	24	37	40	43	\$5,040
287PSL1713	660	Yes	27	22	28	23	31	25	40	43	45	\$5,495

- ① 361 to 433 PSL (single bearing) or PDL (double bearing) models are the alternate to CSL models and have equivalent performance and dimensions.
 - ② PMG Option available as build-up only.
 - ③ Specialty and two bearing orders utilize these windings in place of 280 frame CSL models.
 - ④ All MagnaPlus models have linkboard as standard.
 - ⑤ For 110 volt only service, use an AVC63-4A or a VR63-4C voltage regulator to replace the standard SE350 regulator. See Modification Section for price adder.
- Notes A, B, C, D, E, and F on page 51 apply to this page.

**60
Hertz**

**6-Pole,
Three Phase,
Broad Range**

**208Y-240Y or 416Y-480Y Volts
(12 Leads)
240 or 120 Volts Delta
(12 Leads)**

1200 RPM
NEMA Class F Insulation
40°C Ambient
0.8 Power Factor Lagging
Shunt (Non-PMG) Excitation
SE350 AVR

LIMA SER®²

Base Model	Net Wt. (lbs.)	kW Rating Continuous			List Price
		NEMA B 80°C R/R	NEMA F 105°C R/R	NEMA H 125°C R/R	
361SSL0105	580	21	23	N/A	\$6,900
361SSL0107	605	32	35	N/A	\$7,360
361SSL0108	685	42	45	N/A	\$8,615
441SSL0109	885	55	61	N/A	\$8,920
441SSL0110	970	67	75	N/A	\$9,950
441SSL0111	1035	75	81	N/A	\$10,995
441SSL0112	1185	103	112	N/A	\$12,635

**60
Hertz**

**6-Pole,
Three Phase**

**240Y or 480Y Volts
(12 Leads)
480Y Volts (6 Leads)**

1200 RPM
NEMA Class H Insulation
40°C Ambient
0.8 Power Factor Lagging
DVR®2000E+ AVR with PMG Excitation

NEW! MAGNAMAX^{DVR}

Frame	Net Wt. (lbs.)	No. of Leads	kW Rating Continuous			List Price
			NEMA B 80°C R/R	NEMA F 105°C R/R	NEMA H 125°C R/R	
572	2050	12	160	180	200	\$25,980
572	2204	12	200	230	250	\$28,345
572	2502	12	250	290	315	\$32,715
573	2976	12	300	348	380	\$35,425
573	3417	12	400	460	500	\$40,035
574	4144	12	500	578	630	\$44,520
742 ³	6488	6	600	690	750	\$53,025
742 ³	7438	6	730	915	1000	\$64,005
743 ³	8708	6	925	1150	1250	\$75,345
744 ³	9340	6	1100	1375	1500	\$90,460

**60
Hertz**

**6-Pole,
Single Phase**

**240/120 Volts Zigzag or
Double Delta Connection
(12 Leads)**

1200 RPM
NEMA Class F Insulation
40°C Ambient
Shunt (Non-PMG) Excitation
SE350 AVR¹

LIMA SER®²

Base Model	Net Wt. (lbs.)	kW Rating Continuous				List Price
		0.8 Power Factor Lagging		1.0 Power Factor		
		NEMA B 80°C R/R	NEMA F 105°C R/R	NEMA B 80°C R/R	NEMA F 105°C R/R	
361SSL0105	580	12	13	15	16	\$6,900
361SSL0107	605	16	17	20	22	\$7,360
361SSL0108	685	22	23	27	29	\$8,615
441SSL0109	885	30	34	38	43	\$8,920
441SSL0110	970	36	40	45	50	\$9,950
441SSL0111	1035	42	45	53	56	\$10,995
441SSL0112	1185	50	52	62	65	\$12,635

¹ For 120 volt only service, use an AVC63-4A or a VR63-4C voltage regulator to replace the standard SE350 regulator.

See Modification Section for price adder.

² Available in standard or "Delco" feet.

³ Contact your sales representative for lead time on 740 six pole.

Notes A, B, C, D, E, and F on page 51 apply to this page.

1000 RPM
NEMA Class F Insulation
40°C Ambient
0.8 Power Factor Lagging
Shunt (Non-PMG) Excitation
SE350 AVR

190Y-208Y or 380Y-415Y Volts
(12 Leads)
220 or 110 Volts Delta
(12 Leads)

**6-Pole,
Three Phase,
Broad Range**

**50
Hertz**

LIMA SER® ①

Base Model	Net Wt. (lbs.)	kVA Rating Continuous			List Price
		NEMA B 80°C R/R	NEMA F 105°C R/R	NEMA H 125°C R/R	
361SSL0105	580	19	20	N/A	\$6,900
361SSL0107	605	29	31	N/A	\$7,360
361SSL0108	685	39	45	N/A	\$8,615
441SSL0109	885	48	53	N/A	\$8,920
441SSL0110	970	63	71	N/A	\$9,950
441SSL0111	1035	66	75	N/A	\$10,995
441SSL0112	1185	103	113	N/A	\$12,635

1000 RPM
NEMA Class H Insulation
40°C Ambient
0.8 Power Factor Lagging
DVR®2000E+ AVR with PMG Excitation

200Y or 400Y Volts
(12 Leads)
400Y Volts (6 Leads)

**6-Pole,
Three Phase**

**50
Hertz**

NEW! MAGNAMAX DVR®

Frame	Net Wt. (lbs.)	No. of Leads	kVA Rating Continuous			List Price
			NEMA B 80°C R/R	NEMA F 105°C R/R	NEMA H 125°C R/R	
572	2050	12	160	180	200	\$25,980
572	2204	12	200	231	250	\$28,345
572	2502	12	250	288	313	\$32,715
573	2976	12	300	344	375	\$35,425
573	3417	12	400	456	500	\$40,035
574	4144	12	500	575	625	\$44,520
742 ②	6488	6	600	688	750	\$53,025
742 ②	7438	6	800	919	1000	\$64,005
743 ②	8708	6	1000	1144	1250	\$75,345
744 ②	9340	6	1200	1375	1500	\$90,460

① Available in standard or "Delco" feet.

② Contact your sales representative for lead time on 740 six pole.
Notes A, B, C, D, E, F, and G on page 51 apply to this page.

**400
Hertz****24-Pole,
Three Phase****208Y or 416Y Volts
(10 Leads)③**2000 RPM
40°C Ambient
0.8 Power Factor Lagging
Shunt (Non-PMG) Excitation
AVC63-12B2 Voltage Regulator

Type	Base Model	Net Wt. (lbs.)	kW Rating @ 208 or 416 Volts		List Price
			80°C R/R	105°C R/R	
LIMA SER®	360SSL1311	450	25	30	\$10,535
LIMA SER®	360SSL1312	570	30	35	\$11,390
LIMA SER®	360SSL1313	590	40	50	\$12,265
MAGNAPLUS®	430PSL1314	1200	60	70	\$15,290
MAGNAPLUS®	430PSL1315	1220	75	90	\$16,590
MAGNAPLUS®	430PSL1316	1240	100	120	\$18,600
MAGNAPLUS®	432PSL1821	1575	108	144	\$23,080

**60
Hertz****Single Phase
Capacitor Designs****Light Tower Application①
240/120 or 120 Volts
(4 Leads)**1800 RPM
NEMA Class F Insulation
40°C Ambient
1.0 Power Factor**Pancake**

Base Model	kW @ 80°C R/R	kW @ 105°C R/R	Length (in.)	Weight (lbs.)	List Price
201CSA5411	5.4	6	9.72	110	\$1,815
201CSA5420	7.2	8	10.71	127	\$2,130

**50
Hertz****Single Phase
Capacitor Designs****Light Tower Application①
220/110 or 110 Volts
(4 Leads)**1500 RPM
NEMA Class F Insulation
40°C Ambient
1.0 Power Factor**Pancake**

Base Model	kW @ 80°C R/R	kW @ 105°C R/R	Length (in.)	Weight (lbs.)	List Price
332CSA5213	5.5	6.5	8.5	134	\$2,280

**750
Hertz****36-Pole,
Four Phase****Ballastless Light Tower②
240 Volts (6 Leads)**2500 RPM
NEMA Class H Insulation
50°C Ambient
1.0 Power Factor**MAGNALITE®**

Base Model	kW @ 80°C R/R	kW @ 105°C R/R	Length (in.)	Weight (lbs.)	List Price
191LFN2251	4	5	5	35	\$2,490

① Light Tower models have been specifically designed to have characteristics compatible with the needs of Metal Halide lamps.

② Lamp Striking Voltage approximately 550 volts.

③ Consult factory for availability of 12 leads.

Notes A, B, C, D, E, and F on page 51 apply to this page.

NEW! MAGNASMART™

Air Cooled

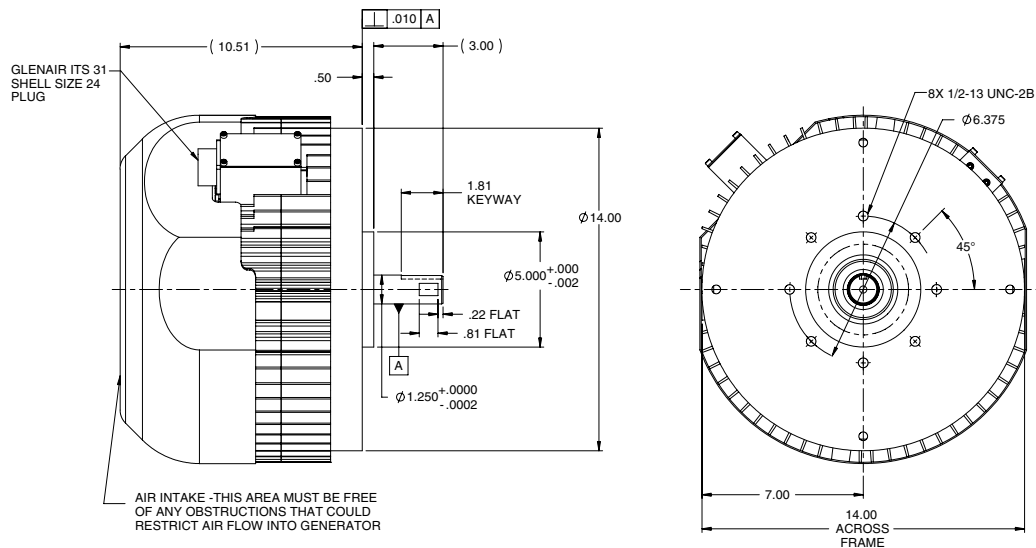
System Part#	kW Rating NEMA H Rise	Enclosure	System Efficiency at Full Load	Rated kW Engine Speed	PTO Ratio (Min.)	Min. Generator Speed	Output
G30A1PE6	6	TENV	95%	700	1.61	1150	120 Single Phase, 240 Split Phase
G30A1PE8	8	TENV	95%	700	1.61	1150	
G30A2PE10	10	TENV	95%	700	1.61	1150	
G30A2PE15	15	TENV	95%	1000	1.61	1600	
G30A2PE20	20	TENV	95%	1350	1.61	2200	
G30A2PE30	30	TENV	95%	1800	1.61	3000	

Liquid Cooled (65C Coolant Temp)

System Part#	kW Rating NEMA H Rise	Enclosure	System Efficiency at Full Load	Rated kW Engine Speed	PTO Ratio (Min.)	Min. Generator Speed	Output
G20L2PE6*	6	TELC	95%	700	1.83	1281	120 Single Phase, 240 Split Phase
G20L2PE8*	8	TELC	95%	700	1.83	1281	
G30L1PE10*	10	TELC	95%	700	1.83	1281	
G30L2PE15	15	TELC	95%	700	1.83	1281	
G30L2PE20	20	TELC	95%	900	1.83	1647	
G30L2PE30	30	TELC	95%	1000	1.83	1830	

*Available engine belt driven

Air Cooled



**60
Hertz**

4-Pole

**LIMA®MAC
Inherently Voltage
Regulated^②**

1800 RPM
NEMA Class F-Stator/H-Rotor Insulation
40°C Ambient

LIMA®MAC

Base Model		Net Wt. (lbs.)	Standard Voltage Regulator	3 Phase 0.8 Power Factor Lagging Continuous kW 80°C R/R ^①	1 Phase 1.0 Power Factor Continuous kW 105°C R/R ^②	List Price
10 Leads	12 Leads ^③					
240Y or 480Y	208Y or 416Y or 240/120, 1Ø					
250MSL1237	250MSL1235	150	Not Required	5	5	\$2,525
250MSL1238	250MSL1236	165	Not Required	7.5	7.5	\$2,900
280MSL0054	280MSL0079	245	Not Required	10	10	\$3,115
280MSL0055	280MSL0080	260	Not Required	12	12	\$3,345
280MSL0056	280MSL0081	275	Not Required	15	15	\$3,790
360MSL0057	360MSL0082	560	Not Required	20	20	\$4,830
360MSL0058	360MSL0083	635	Not Required	25	25	\$5,415
360MSL0059	360MSL0084	685	Not Required	30	30	\$5,800
360MSL0060	360MSL0085	720	Not Required	40	40	\$6,240
440MSL0885	440MSL0860	1035	Not Required	50	50	\$7,635
440MSL0886	440MSL0861	1085	Not Required	60	60	\$8,175
440MSL0887	440MSL0862	1185	Not Required	75	75	\$9,890
440MSL0888	440MSL0863	1270	Not Required	100	100	\$11,430
580MSL0889	N/A	1710	Not Required	125	N/A	\$12,330
580MSL1166	N/A	1770	Not Required	150	N/A	\$13,445
580MSL0891	N/A	2130	Not Required	175	N/A	\$15,375
580MSL0892	N/A	2185	Not Required	200	N/A	\$17,445
680MSL0893	N/A	2510	Not Required	250	N/A	\$18,865
680MSL0894	N/A	2660	Not Required	300	N/A	\$20,205

**60
Hertz**

**4-Pole,
Dedicated
Single Phase**

240/120 Volts (4 Leads)^②

1800 RPM
NEMA Class F-Stator/H-Rotor Insulation
40°C Ambient
0.9 Power Factor Lagging

LIMA®MAC

Base Model	Number of Leads	Net Wt. (lbs.)	Standard Voltage Regulator	Continuous kW 105°C R/R	List Price
250MSL1185	4	165	Not Required	5	\$2,440
250MSL1152	4	180	Not Required	7.5	\$2,825

**60
Hertz**

**4-Pole,
Three Phase**

**240Y or 480Y Volts
(10 Leads)^{①②}**

1800 RPM
NEMA Class F-Stator/H-Rotor Insulation
40°C Ambient
0.8 Power Factor Lagging

LIMA®MAC Reefer

Base Model	Number of Leads	Overall Length	Net Wt. (lbs.)	Standard Voltage Regulator	Continuous kW 105°C R/R	List Price
260MSL1361	10	17.0"	285	Not Required	15	\$3,935

① LIMA®MAC generators are specifically designed for starting three phase AC electric motors. LIMA®MAC generators provide 1 hp/kW, Code G induction motor starting capability with 35% voltage dip (80°C rise rating).

② LIMA®MAC generators are self-excited and inherently-regulated, providing 4% voltage regulation without external voltage regulator or transformers. LIMA®MAC generators inherently provide 500% 3 phase short circuit support and volts/hertz operation.

③ Only 12-lead units may be connected for single phase operation: 120 V Delta, 240/120 V Low Zigzag or 480 V High Zigzag. Notes A through D on page 51 apply to this page.

1800 RPM
NEMA Class H Insulation
40°C Ambient
DVR®2000E+ AVR with PMG

Drill Rig Duty[®]

**4-Pole,
Three Phase**

**60
Hertz**

MAGNAMAX^{DVR}

480Y/277 Volts (4 Leads)

Base Model	Net Wt. (lbs.)	No. of Leads	kW Rating		List Price
			NEMA B 80°C R/R		
			0.7 P.F. Lagging	0.8 P.F. Lagging	
573FSL4202	3400	4 Bar	400	450	\$32,880
574FSL4204	3650	4 Bar	500	570	\$36,335
742FSL4208	5900	4 Bar	700	800	\$44,710
743FSL4210	6500	4 Bar	800	900	\$49,030
743FSL4212	6900	4 Bar	900	1025	\$51,915
744FSL4214	7300	4 Bar	1000	1140	\$57,680
744FSL4216	8300	4 Bar	1200	1375	\$63,450

MAGNAMAX^{DVR}

600Y/346 Volts (4 Leads)

Base Model	Net Wt. (lbs.)	No. of Leads	kW Rating		List Price
			NEMA B 80°C R/R		
			0.7 P.F. Lagging	0.8 P.F. Lagging	
573FSS4224	3400	4 Bar	400	450	\$35,190
574FSS4226	3650	4 Bar	520	600	\$38,640
742FSS4230	5900	4 Bar	700	800	\$47,580
743FSS4232	6500	4 Bar	800	900	\$51,915
743FSS4234	6900	4 Bar	900	1025	\$56,245
744FSS4236	7300	4 Bar	1000	1140	\$62,010
744FSS4238	8300	4 Bar	1200	1375	\$69,225
744FSS4240	8600	4 Bar	1250	1425	\$78,470

① Models include VPI insulation, form wound coil construction, PMG excitation support, raised drip cover, and space heaters as standard equipment. All models are specially designed to accept heavy SCR (Thyristor) loading. Notes A, B, C, D, E, and F on page 51 apply to this page.

Marathon Electric's Crane Duty AC generators are designed for Rubber Tired Gantry Cranes or other mobile/stationary crane applications.

Crane Duty Generators

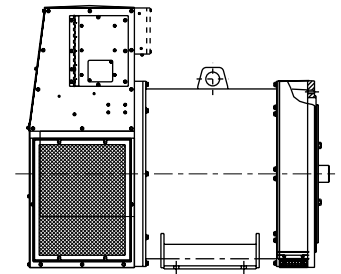
**4-Pole,
Three Phase**

**60
Hertz**
**50
Hertz**

MAGNAMAX^{DVR}

STANDARD FEATURES:

- Form wound main stator coils with special VPI insulation system.
- Epoxy overcoat for humid and salt air environments.
- Intake air filters with pressure shut-off switches.
- IP23 weather protected enclosures and space heaters.
- Heavy duty ball bearings with a B-10 life of 40,000 hours.
- Low sub-transient (X"d) reactance and low voltage dip.
- PMG excitation support system and three phase, true RMS sensing voltage regulator.
- Single or optional two bearing close-coupled engine mounting.



Ratings for all units on this page are very application specific and require an application review for proper sizing. Please contact factory for application assistance.

**60
Hertz****Three Phase
Induction
Generators****240 or 480 Volts
208 or 416 Volts
480 Volts**1800 RPM
NEMA Class H Insulation
40°C Ambient**PRIMELINE® 4-Pole, One Bearing Dripproof Induction Generators****240 or 480 Volts**

Base Model	Net Wt. (lbs.)	No. of Leads ^④	Continuous kW 80°C R/R	List Price
364TTDS17033 ^{③⑤}	725	3	60	\$5,970
365TTDS8771 ^⑤	850	9	80	\$6,635
431ASL1415 ^{①②}	1340	9	150	\$11,245
431ASL1417 ^{①②}	825	12	200	\$11,830
431ASL1414 ^{①②}	1760	9	220	\$13,700
431ASL1421 ^{①②③}	1925	3	250	\$14,125
431ASL1420 ^{①②}	1425	9	265	\$14,415
431ASL1418 ^{①②}	1425	9	300	\$15,140

208 or 416 Volts

Base Model	Net Wt. (lbs.)	No. of Leads ^④	Continuous kW 80°C R/R	List Price
365TTDS8771 ^⑤	850	9	80	\$6,635
431ASL1419 ^{①②}	1025	12	150	\$11,830
431ASL1416 ^{①②}	1525	12	160	\$12,690
431ASL1420 ^{①②}	1425	9	200	\$14,415

- ① Pricing for 431 frame and 572 frame induction generators includes the conduit box, however the conduit box must be listed as a separate line item on the order.
 ② The 431 frame and 572 frame induction generators are constructed in synchronous generator rolled steel housings with standard generator mounting feet. The 431 and 572 frame units will accept Marathon standard SAE adapters and drive discs. Contact the factory to obtain pricing for specific customers.
 ③ This is a 3 lead unit, designed to operate at 480 V only.
 ④ Other designs available; please contact factory.
 ⑤ These are in motor frames and are not a standard generator frame type.
 Notes C and D on page 51 apply to this page.

PRIMELINE® Two Bearing Dripproof Induction Generators^{①③}**4-Pole, 480 Volts**

Frame	Net Wt. (lbs.)	No. of Leads ^②	Continuous kW		List Price
			80°C R/R	105°C R/R	
254	161	3	12	14	\$1,260
256	233	3	17	19	\$1,525
284	346	3	25	28	\$1,880
286	354	3	29	34	\$2,170
324	401	3	35	40	\$2,770
326	430	3	50	57	\$3,240
364	720	3	65	75	\$3,740
365	815	3	72	85	\$4,480
404	1040	3	100	110	\$5,560
405	1112	3	110	120	\$6,615
444	1335	3	130	157	\$8,185
445	1450	3	150	175	\$11,340
447	2064	3	275	315	\$14,110
505	2150	3	275	320	\$16,295
508	3050	3	400	425	\$23,650

6-Pole, 480 Volts

Frame	Net Wt. (lbs.)	No. of Leads ^②	Continuous kW		List Price
			80°C R/R	105°C R/R	
284	346	3	14	17	\$1,815
286	354	3	18	21	\$2,205
324	401	3	22	24	\$2,650
326	430	3	25	29	\$3,130
364	720	3	40	46	\$3,710
365	815	3	50	55	\$4,260
404	1040	3	65	75	\$5,265
405	1112	3	80	88	\$6,300
444	1335	3	90	100	\$7,745
445	1450	3	110	125	\$10,890
447	1792	3	180	200	\$14,320
505	2100	3	190	220	\$15,520
508	2850	3	325	350	\$23,010

**PRIMELINE® Induction Generators
are now CSA Certified!**

- ① For modifications to PRIMELINE® two bearing generators, please contact factory.
 ② Other designs available; please contact factory.
 ③ These are in motor frames and are not a standard generator frame type.
 Notes C and D on page 51 apply to this page.



1800 RPM
NEMA Class H Insulation
0.8 Power Factor Lagging
Shunt (Non-PMG) Excitation
SE350 AVR
Bolt-on PMG Available

4-Pole,
Three Phase

60
Hertz

Base Model	Net Wt. (lbs.)	No. of Leads ^①	kW Ratings @ 50°C Ambient			kW Ratings @ 40°C Ambient			List Price
			208Y - 240D Cont. 95°C R/R	450Y Cont. 95°C R/R	480Y Cont. 95°C R/R	208Y - 240D Cont. 80°C R/R	450Y Cont. 80°C R/R	480Y Cont. 80°C R/R	
361PSL3120	518	12	37	40	41	35	37	40	\$5,265
361PSL3121	569	12	46	48	50	45	48	49	\$5,625
361PSL3122	620	12	55	58	60	53	55	58	\$6,280
362PSL3124	706	12	67	70	77	65	68	75	\$6,700
362PSL3126	796	12	82	83	83	80	80	80	\$7,580
363PSL3127	943	12	105	110	115	100	105	110	\$8,075
431PSL6252	1220	12	133	135	135	125	125	125	\$9,160
431PSL6254	1310	12	156	160	160	142	143	143	\$9,945
431PSL6256	1415	12	183	190	186	170	170	165	\$10,885
431PSL6258	1455	12	195	198	200	176	180	180	\$11,470
432PSL6260	1685	12	245	245	245	220	220	220	\$12,040
432PSL6262	1760	12	245	255	260	225	227	230	\$13,480
433PSL6266	2235	12	325	325	321	290	285	280	\$15,000
433PSL6270	2245	12	345	355	352	315	315	310	\$15,855



1500 RPM
NEMA Class H Insulation
0.8 Power Factor Lagging
Shunt (Non-PMG) Excitation
SE350 AVR
Bolt-on PMG Available

4-Pole,
Three Phase

50
Hertz

Base Model	Net Wt. (kg)	No. of Leads ^①	kVA Ratings @ 50°C Ambient						List Price
			220Y Cont. 95°C R/R	220Y Cont. 110°C R/R	380Y Cont. 95°C R/R	380Y Cont. 110°C R/R	400Y Cont. 95°C R/R	400Y Cont. 110°C R/R	
361PSL3120	234	12	38	40	40	44	41	45	\$5,265
361PSL3121	258	12	43	45	50	53	50	52	\$5,625
361PSL3122	281	12	45	51	60	65	56	62	\$6,280
362PSL3124	320	12	65	75	75	80	73	81	\$6,700
362PSL3126	361	12	73	81	82	94	81	94	\$7,580
363PSL3127	427	12	90	101	100	113	100	113	\$8,075
431PSL6252	553	12	121	130	140	143	135	141	\$9,160
431PSL6254	594	12	143	151	160	166	160	165	\$9,945
431PSL6256	641	12	150	161	186	200	183	193	\$10,885
431PSL6258	659	12	183	195	200	210	200	210	\$11,470
432PSL6260	764	12	191	210	235	256	240	251	\$12,040
432PSL6262	798	12	245	260	256	270	256	271	\$13,480
433PSL6266	1013	12	241	265	325	245	310	331	\$15,000
433PSL6270	1018	12	285	310	355	375	350	368	\$15,855

The Marathon Mariner features a heavy duty rectifier assembly designed to handle extreme voltage transient surges and over-current situations (oversized diodes and surge suppressors are included for extreme voltage transient surges). Windings have also been reinforced to handle the harshness of salt-laden, marine applications. Proven wrappings and polybutadiene overcoat used in crane duty and reefer applications have been applied to the design. The Marathon Mariner is the ideal choice for heavy duty industrial applications. Modifications such as PMG/DVR[®]2000E+ AVR, space heaters, dripcovers, etc., are also available (see Modification Section for details).

Marathon Mariner units are capable of being Marine Agency certified. Please contact factory for price adders for agency certification.

① All Mariner Models have linkboard as standard
Notes A, B, C, D, E, and F on page 51 apply to this page.



**60
Hertz**

**4-Pole,
Three Phase**

**208Y Volts (10-12 Leads)
240Y Volt Delta (12 Leads)
450Y/260 Volts (4-10-12 Leads)
480Y/277 Volts (4-10-12 Leads)**

1800 RPM
50°C Ambient
0.8 Power Factor Lagging
Dripcover
DVR®2000E+ AVR with PMG

American Bureau of Shipping (ABS) Certified Generators

- Space Heaters standard on 431 and larger frame sizes
- ABS Witness Tests including all Agency Fees
- All generators include PMG excitation support

MAGNAPLUS® ①

Base Model	Net Wt. (lbs.)	Number of Leads	kW Rating @ 0.8 PF Lagging			List Price
			208Y - 240D Cont. 95°C R/R	450Y Cont. 95°C R/R	480Y Cont. 95°C R/R	
361PSL1600	518	12	37	40	41	\$9,340
361PSL1601	569	12	46	48	50	\$9,710
361PSL1602	620	12	55	58	60	\$10,355
362PSL1604	706	12	67	70	77	\$10,780
362PSL1606	796	12	82	83	83	\$11,655
363PSL1607	943	12	105	110	115	\$12,165
431PSL6202	1220	12	133	136	135	\$13,765
431PSL6204	1310	12	156	160	160	\$14,555
431PSL6206	1415	12	183	190	186	\$15,495
431PSL6208	1455	12	195	197	200	\$16,070
432PSL6210	1685	12	245	245	245	\$16,640
432PSL6212	1760	12	245	252	260	\$18,080
433PSL6216	2235	12	325	325	321	\$19,590
433PSL6220	2245	12	345	355	352	\$20,465

MAGNAMAX^{DVR}

431RSL4005	1280	12	127	135	139	\$13,990
431RSL4007	1370	12	142	150	157	\$14,415
432RSL4009	1550	12	179	192	193	\$15,005
432RSL4011	1570	12	198	208	211	\$15,510
432RSL4013	1600	12	209	220	222	\$15,795
432RSL4015	1810	12	252	264	255	\$16,590
432RSL4017	1830	12	262	265	255	\$17,955
433RSL4019	2340	12	310	320	335	\$19,475
433RSL4021	2365	12	330	345	365	\$20,335
572RSL4024	2730	10	Not Normally Used	430	430	\$21,985
572RSL4027	2840	12		440	475	\$22,565
572RSL4028	3050	10		505	505	\$24,300
572RSL4030	3110	10		500	515	\$25,025
573RSL4032	3400	10		645	645	\$28,345
573RSL4034	3620	10		650	670	\$30,500
574RSL4036	4080	10		690	700	\$32,235
574RSL4038	4240	4		720	750	\$33,670
575RSL4044	5000	4 Bars		825	870	\$37,140
741RSL4045	5490	12		880	940	\$40,595
740RSL4046	5200	4 Bars		925	970	\$42,760
742RSL4048	6300	4 Bars		1010	1040	\$46,875
742RSL4050	7230	4 Bars		1175	1220	\$50,760
743RSL4052	7800	4 Bars		1425	1425	\$58,410
744RSL4054	8600	4 Bars		1475	1650	\$62,740
744RSL4056	9740	4 Bars		1790	1800	\$69,945
744RSL4058	9740	4 Bars		1880	1880	\$72,825

- For ABS certification only. For certification by other Marine Classification Societies such as Lloyds, DNV, NKK, etc., contact Marathon for pricing. ABS witness testing may not be required for units rated below 100 kW.
- If space heaters are specified for frames 363 and smaller, see Modification Section for pricing.
- Required information at time of order placement: Vessel Name/Hull Number, shipyard, nameplate ratings, and mounting arrangements.
- Winding RTD's are required on Mobil Offshore Drilling Units (MODU) for units rated 400 kW (500 kVA) and above. See Modification Section for pricing.
- Winding RTD's are required on all units rated 1000 Volts and above. See Modification Section for pricing.

① All MagnaPlus models have linkboard as standard.
Notes A, B, C, D, E, and F on page 51 apply to this page.

Marine Classification Society Requirements for Certification of Shipboard Generators

Subject	American Bureau Of Shipping (ABS)	Lloyd's Register Of Shipping	Germanischer Lloyd's	Korean Register Of Shipping	Nippon Kaiji Kyokai NKK	Det Norske Veritas
	Minimum Rating Requiring Certification	100 kW	100 kW	50 kW	All Generators	All Generators
Ambient Temperature	50° C	45° C	45° C	50° C	50° C	45° C
Temperature Rise	95° C	95° C	90° C	95° C	95° C	95° C
Embedded ④ Temperature Detectors	Required for all units 1 kV and over	Required for propulsion systems only	Not Specified	Not Specified	Not Specified	Required for all units 1000 kW and over
Space Heaters	Required ①	Not Specified ②	Not Specified ②	Not Specified ②	Not Specified ②	Req. for all units
Sustain Short Circuit Current in Percent (%) Rated F.L. Current	300% for 2 Sec.	300% for 2 Sec.	300% for 2 Sec.	300% for 2 Sec.	Not Specified	300% for 2 Sec.
Drip Cover or Minimum Enclosure Required	IP22	IP22	IP22	IP23	IP22	IP22
Fixed Termination of Load Leads ③	Not Specified	Required	Not Specified	Not Specified	Not Specified	Required
Shaft Material Test ④	Not Specified	Required	Required	Required	Not Specified	Required

Notes: ① Required for generators weighing 1000 pounds and over.
 ② Not required by Agency Rules, but strongly advised.
 ③ Generator load leads must be terminated on a fixed terminal such as a bus bar, link board or insulated stand-off.
 ④ Requires generator to be a build-up.
 For generators requiring Certification by Agencies other than those listed in the above table, please consult factory.

1800 RPM
 NEMA Class H Insulation
 40°C Ambient
 0.8 Power Factor Lagging

**Three Phase,
 480Y Volts and 208Y Volts
 Available Simultaneously
 (Dual Windings)**

**Dual Voltage
 Generators**

**60
 Hertz**

MAGNAPLUS® (Shunt Non-PMG) Excitation, Bolt-on PMG Option Available

Base Model	No. of Leads	Voltages①	Std. AVR	Continuous kW Rating @ Designated NEMA Rise		List Price
				NEMA F 105°C R/R	NEMA H 125°C R/R	
361PSL1652	7	480Y & 208Y	SE350	50	55	\$5,910
363PSL1651	7	480Y & 208Y	SE350	75	80	\$7,710
431PSL7001	7	480Y & 208Y	SE350	125	135	\$10,450
432PSL7000	7	480Y & 208Y	SE350	185	195	\$13,045
433PSL7002	7	480Y & 208Y	SE350	225	240	\$15,425

MAGNAMAX^{DVR} PMG Excitation

572RSL7002	7	480Y & 208Y	DVR®2000E+	300	325	\$19,470
572RSL7000	7	480Y & 208Y	DVR®2000E+	350	375	\$21,625
572RSL7001	7	480Y & 208Y	DVR®2000E+	375	400	\$22,785
574RSL7003	7	480Y & 208Y	DVR®2000E+	500	525	\$30,285

① 120 volts single phase available line to neutral on 208Y volts winding.
 ② All MagnaPlus models have linkboard as standard.

**60
Hertz**

**UL2200
Ratings[®]
4-Pole**

**Maximum kW Output at
27°C ambient and 130°C R/R
for UL2200 Applications**

1800 RPM
NEMA Class H Insulation
Shunt (Non-PMG) Excitation
SE350 AVR

MAGNAPLUS[®] Standard Models

Base Model	Net Wt. (lbs.)	No. of Leads ^④	Bolt-on PMG Option Avail.	60 Hz, Three Phase						60 Hz, 1 Phase		List Price	
				0.8 PF Lagging						0.8 PF	1.0 PF		
				High Wye Connection					Delta	Low Wye	ZigZag		
				480 V	460 V	440 V	416 V	380 V	240 V	208 V	240 V		240 V
281CSL1502	220	12	No	13	12.5	11.5	11	10	10.5	10.5	7.5	9.5	\$2,670
282PSL1703 ^③	240	12	Ⓜ	15	15	15	13.5	12.5	13.5	13.5	8.2	11	\$2,810
282CSL1504	250	12	No	18	17.5	17.5	17	15.5	17	17	10	13	\$2,955
282CSL1505	275	12	No	24	24	23	22	20	22	22	13	17	\$3,175
283CSL1506	310	12	No	28	27	27	26	23	26	26	16	20	\$3,535
283CSL1507	350	12	No	33	32	31	30	27	30	30	18	25	\$3,820
284CSL1508	405	12	No	40	39	39	38	35	38	38	25	31	\$4,180
284CSL1542	420	12	No	43	41	41	40	36	40	40	24	32	\$4,335
361CSL1600 ^①	518	12	Yes	48	46	45	42	38	42	42	30	39	\$4,390
361CSL1601 ^①	569	12	Yes	60	60	58	55	50	55	55	35	45	\$4,760
361CSL1602 ^①	620	12	Yes	70	67	68	65	60	65	65	42	55	\$5,405
362CSL1604 ^①	706	12	Yes	90	86	84	80	72	80	80	51	66	\$5,840
362CSL1606 ^①	796	12	Yes	105	105	102	100	90	100	100	60	79	\$6,700
363CSL1607 ^①	943	12	Yes	135	135	130	125	115	125	125	73	97	\$7,210
431CSL6202 ^①	1220	12	Yes	155	155	153	151	140	151	151	96	121	\$8,145
431CSL6204 ^①	1310	12	Yes	181	182	180	176	167	176	176	107	135	\$8,940
431CSL6206 ^①	1415	12	Yes	215	220	220	210	191	210	210	132	166	\$9,890
431CSL6208 ^①	1455	12	Yes	230	230	225	225	207	225	225	132	166	\$10,450
432CSL6210 ^①	1685	12	Yes	280	282	283	280	265	280	280	161	201	\$11,035
432CSL6212 ^①	1760	12	Yes	300	300	290	280	265	280	280	161	201	\$12,480
433CSL6216 ^①	2235	12	Yes	380	380	280	375	357	375	375	193	241	\$13,990
433CSL6220 ^①	2245	12	Yes	415	410	410	400	367	400	400	193	241	\$14,845

MAGNAPLUS[®] Alternate Models^③

281PSL1722	225	12	Ⓜ	11	11	12	12	11	12	12	7.5	10	\$2,670
282PSL1704	270	12	Ⓜ	16.5	16.5	16	16	14.5	16	16	10	14	\$2,955
282PSL1705	295	12	Ⓜ	21	21	20	20	18	20	20	13	17	\$3,175
283PSL1706	336	12	Ⓜ	27	26	26	25	23	25	25	16	21	\$3,535
283PSL1707	366	12	Ⓜ	33	32	31	30	27	30	30	18	25	\$3,820
284PSL1708	405	12	Yes	35	35	35	35	32	35	35	20	30	\$4,180
284PSL1742	436	12	Yes	40	40	40	40	37	40	40	25	32	\$4,335
285PSL1700	480	12	Yes	45	45	45	45	41	45	45	28	37	\$4,390
286PSL1701	600	12	Yes	60	58	56	55	50	55	55	32	42	\$4,760
287PSL1702	670	12	Yes	62	61	61	60	55	60	60	36	45	\$5,405

① 361 to 433 PSL (single bearing) or PDL (double bearing) models are the alternate to CSL models and have equivalent performance and dimensions.

② PMG Option available as build-up only.

③ Specialty and two bearing orders utilize these windings in place of 280 frame CSL models.

④ All MagnaPlus models have linkboard as standard.

⑤ This chart depicts a suggested ambient and temperature rise (27°C ambient/130°C rise) that would be in accordance with the UL maximum temperature of 160°C.

Notes A, B, C, D, E, and F on page 51 apply to this page.

1800 RPM
NEMA Class H Insulation
DVR®2000E+ AVR with PMG Excitation

Maximum kW Output at
27°C ambient and 130°C R/R
for UL2200 Applications

UL2200
Ratings^①
4-Pole

60
Hertz

MAGNAMAX^{DVR}

Base Model	Net Wt. (lbs.)	No. of Leads	60 Hz, Three Phase							60 Hz, 1 Phase		List Price
			0.8 PF Lagging							0.8 PF	1.0 PF	
			High Wye Connection					Delta	Low Wye	ZigZag		
			480 V	460 V	440 V	416 V	380 V	240 V	208 V	240 V	240 V	
431RSL4005	1280	12	155	153	146	138	122	138	138	88	110	\$9,370
431RSL4007	1370	12	175	174	168	160	136	160	160	103	129	\$9,805
432RSL4009	1550	12	215	215	207	200	170	200	200	129	161	\$10,385
432RSL4011	1570	12	231	235	235	221	190	221	221	127	159	\$10,885
432RSL4013	1600	12	250	245	240	235	200	235	235	123	154	\$11,180
432RSL4015	1810	12	285	290	277	262	240	262	262	147	184	\$11,975
432RSL4017	1830	12	300	291	295	287	255	287	287	158	198	\$13,340
433RSL4019	2340	12	375	370	360	350	305	350	350	180	225	\$14,845
433RSL4021	2365	12	405	400	390	380	315	380	380	185	231	\$15,725
572RSL4024	2730	10	475	485	465	440	400	N/A	440	N/A	N/A	\$17,140
572RSL4025	2730	12	475	485	465	440	400	440	440	209	261	\$17,435
572RSL4027	2840	12	515	515	500	475	405	475	475	227	283	\$17,735
572RSL4028	3050	10	560	585	560	525	470	N/A	525	N/A	N/A	\$19,470
572RSL4029	3050	12	560	585	560	525	470	525	525	246	308	\$19,750
572RSL4030	3110	10	600	610	590	565	485	N/A	565	N/A	N/A	\$20,195
572RSL4031	3110	12	600	610	590	565	485	565	565	264	330	\$20,480
573RSL4032	3400	10	700	730	730	700	595	N/A	700	N/A	N/A	\$23,500
573RSL4033	3400	12	700	730	730	700	595	700	700	308	385	\$23,930
573RSL4034	3620	10	750	785	765	725	625	N/A	725	N/A	N/A	\$25,665
573RSL4035	3620	12	750	785	765	725	625	725	725	330	413	\$26,095
574RSL4036	4080	10	825	845	820	785	670	N/A	785	N/A	N/A	\$27,395
574RSL4037	4080	12	825	845	820	785	670	785	785	363	454	\$27,835
574RSL4038	4240	4	920	910	875	835	705	N/A	N/A	N/A	N/A	\$28,835
575RSL4044	5000	4 Bars	1060	1040	1010	975	830	N/A	N/A	N/A	N/A	\$32,310
741RSL4045	5490	12	1100	1070	1030	1000	840	1000	1000	N/A	N/A	\$35,765
740RSL4046	5200	4 Bars	1220	1190	1160	1110	945	N/A	N/A	N/A	N/A	\$37,930
742RSL4048	6300	4 Bars	1300	1290	1240	1180	1030	N/A	N/A	N/A	N/A	\$41,825
742RSL4049	6300	12	1300	1290	1240	1180	1030	1180	1180	N/A	N/A	\$44,710
742RSL4050	7230	4 Bars	1500	1500	1450	1370	1160	N/A	N/A	N/A	N/A	\$45,715
743RSL4052	7800	4 Bars	1750	1710	1710	1610	1480	N/A	N/A	N/A	N/A	\$53,355
744RSL4054	8600	4 Bars	2000	1990	1920	1840	1590	N/A	N/A	N/A	N/A	\$57,680
744RSL4056	9740	4 Bars	2210	2100	2030	1950	1790	N/A	N/A	N/A	N/A	\$64,890
744RSL4058	9740	4 Bars	2320	2260	2180	2090	1950	N/A	N/A	N/A	N/A	\$67,775

① This chart depicts a suggested ambient and temperature rise (27°C ambient/130°C rise) that would be in accordance with the UL maximum temperature of 160°C. Notes A, B, C, D, E, and F on page 51 apply to this page.



**4-Pole,
Three Phase**

**Rail Duty
Generators**

NEMA Class H Insulation
40°C Ambient
0.8 Power Factor Lagging
DVR®2000E+ AVR with PMG Excitation

**Head End Power (Constant Speed),
60 Hz, 1800 RPM, 240/480 V**

Frame	kW @ 105°C R/R
431-433	145-380
572-575	495-975
741-744	1030-1800

**Head End Power (Constant Speed),
50 Hz, 1800 RPM, 200/400 V**

Frame	kW @ 105°C R/R
431-433	114-300
572-575	360-635
741-744	830-1410

**Propulsion Power (Variable Speed),
60 Hz, 1800 RPM, 240/480 V**

Frame	Max kW @ 105°C R/R
572-574	up to 975
741-744	up to 1800
1020-1030	up to 3000

**Propulsion Power (Variable Speed),
60 Hz, 1800 RPM, 600 V**

Frame	Max kW @ 105°C R/R
572-574	up to 840
741-744	up to 1850
1020-1030	up to 2800

Marathon Electric has supplied custom railroad duty generators for more than 30 years.

Marathon’s custom railroad duty generators optimize performance and provide the customer with the expected service life for this stressful application.

Using the customer’s electrical and mechanical requirements, Marathon selects the appropriate materials, designs, and processes to meet the customer’s needs.

The use of special coil designs with random and form wound coils, processed with multi-layered high solids varnishes, epoxy resins, and VPI systems, help resist the rigorous vibrations, longitudinal impacts, high transient voltages and currents, and the aggressive railroad environment. The proprietary insulation process provides the strongest mechanical strength and the best sealing to protect against the moisture and the railroad contaminants found in the railroad application. The final build specification may affect the final output kW.

The generator assembly is finished by providing the best cooling air flow, lead handling, and drive configuration, in one of the shortest configurations in the industry.

Contact us with your railroad requirements and let us build your generator.

kW/kVA Rating @ Designated NEMA Rise 480 V, 1800 RPM, 60 Hz

Frame	NEMA B 80°C R/R	NEMA F 105°C R/R	NEMA H 125°C R/R	Efficiency ^①	List Price
574	700	800	1000	97.0	\$34,605
742	800	1000	1250	97.0	\$53,940
742	1000	1250	1500	97.1	\$54,855
743	1250	1500	1750	97.2	\$64,035
744	1500	1750	2000	97.2	\$69,220
744	1750	2000	2250	97.4	\$81,325
1020	2000	2250	2500	97.2	\$201,230
1020	2250	2500	2800	97.0	\$206,790
1030	2500	2800	3000	97.2	\$220,650
1030	2800	3000	3250	97.3	\$281,735
1030	3000	3250	3500	97.3	\$286,510

kW/kVA Rating @ Designated NEMA Rise 4160 V, 1800 RPM, 60 Hz

Frame	NEMA B 80°C R/R	NEMA F 105°C R/R	NEMA H 125°C R/R	Efficiency ^①	List Price
743	1500	1750	2000	97.0	\$95,170
744	1750	2000	2250	97.1	\$121,135
1020	2000	2250	2500	97.0	\$187,345
1020	2250	2500	2800	97.1	\$190,575
1020	2500	2800	3000	97.2	\$193,805
1020	2800	3000	3250	97.4	\$202,465
1020	3000	3250	3500	97.4	\$216,315

kW/kVA Rating @ Designated NEMA Rise 13200 V, 1800 RPM, 60 Hz

Frame	NEMA B 80°C R/R	NEMA F 105°C R/R	NEMA H 125°C R/R	Efficiency ^①	List Price
1020	1750	2000	N/A	97.0	\$276,020
1020	2000	2250	N/A	97.2	\$280,780
1020	2250	2500	N/A	97.1	\$285,540
1030	2500	2800	N/A	97.1	\$376,220
1030	2800	3000	N/A	97.2	\$382,595
1040	3000	3250	N/A	97.3	\$488,395

kW/kVA Rating @ Designated NEMA Rise, 400V, 1500 RPM, 50 Hz

Frame	NEMA B 80°C R/R	NEMA F 105°C R/R	NEMA H 125°C R/R	Efficiency ^①	List Price
742	650	800	1000	97.2	\$53,030
742	800	1000	1250	97.2	\$53,945
742	1000	1250	1500	97.0	\$54,855
744	1250	1500	1750	97.3	\$69,225
744	1500	1750	2000	97.0	\$81,330
1020	1750	2000	2250	97.1	\$197,875
1020	2000	2250	2500	97.1	\$201,230
1030	2250	2500	2800	97.4	\$240,885
1030	2500	2800	3000	97.4	\$245,035
1030	2800	3000	3250	97.3	\$249,195

kW/kVA Rating @ Designated NEMA Rise, 3300V, 1500 RPM, 50 Hz

Frame	NEMA B 80°C R/R	NEMA F 105°C R/R	NEMA H 125°C R/R	Efficiency ^①	List Price
743	800	1000	1250	97.0	\$86,955
743	1000	1250	1500	97.2	\$88,430
744	1250	1500	1750	97.2	\$121,135
1020	1500	1750	2000	97.1	\$187,345
1020	1750	2000	2250	97.2	\$190,570
1020	2000	2250	2500	97.2	\$193,805
1020	2250	2500	2800	97.4	\$202,465
1020	2500	2800	3000	97.4	\$216,315
1030	2650	3000	3300	97.3	\$273,395

kW/kVA Rating @ Designated NEMA Rise, 11000V, 1500 RPM, 50 Hz

Frame	NEMA B 80°C R/R	NEMA F 105°C R/R	NEMA H 125°C R/R	Efficiency ^①	List Price
1020	1440	1500	N/A	97.0	\$271,260
1020	1500	1750	N/A	97.2	\$276,020
1020	1750	2000	N/A	97.2	\$280,780
1020	2000	2250	N/A	97.0	\$285,540
1040	2250	2500	N/A	97.0	\$472,110
1040	2500	2800	N/A	97.0	\$480,255
1040	2800	3000	N/A	97.2	\$488,395
1040	3000	3250	N/A	97.2	\$534,790

① Efficiency @ 1.0 p.f., 105° C R/R

Modification Section: Generators

All prices shown are list prices

Modification	Description	List Price	*Build To Order
Adapters	Two bearing close-coupled adapters - 430 frame - 570 frame - 740 frame One bearing direct couple Lister TR2 & TS2 Engines - 250 LIMA®MAC & 280 MAGNAPLUS® fr. only Automotive adapters: GM 7.4/5.7 L, 280 & 360 frame only Automotive adapters: Chrysler 2.8 L	\$1,300 \$1,740 \$2,900 N/C \$395 \$395	* * * *
Air Filters	Washable filters and pressure switch - MAGNAMAX ^{DVVR} Catalog ratings must be reduced by 5% for units equipped with filters	\$1,455	
Altitude / Ambient	See Altitude / Ambient Rating Adjustment Chart on Page 58.		
Bus Bar Kit	480-600 Volt (4 Bus Bars) - 430 frame - MAGNAMAX ^{DVVR} models only 480-600 Volt (4 Bus Bars) - 571-574 frame 480-600 Volt (6 Bus Bars) - 571-574 frame 480-600 Volt (4 Bus Bars) - 575; 740-744 frame 480-600 Volt (4 Bus Bars) - 741-742 frame (for 12 lead units, 480V only) 480-600 Volt (6 Bus Bars) - 740-744 frame 600 - 6600 Volt (4 Bus Bars) - 573-574 frame 600-6600 Volt (4 Bus Bars) - 741-744 frame 600-6600 Volt (6 Bus Bars) - 741-744 frame	\$1,140 \$1,515 \$2,280 standard \$1,955 \$1,205 \$1,175 \$1,425 \$2,180	* *
Circuit Breakers Two Pole	Mounted and wired in generator connection box. Available with 280, 360 and 440 frame generators only. Not available with 330 frame Pancake units. ① ② Ampere 240 Volt 480 Volt 15 - 35 \$375 \$825 36 - 60 \$385 \$825 61 - 100 \$440 \$975 101 - 225 \$600 N/A 225 - 400 \$2,160 N/A	see description	
Circuit Breakers Three Pole	Mounted and wired in generator connection box. Available with 280 through 740 frames. Not available with 330 frame Pancake units. ① ② Ampere 240 Volt 480 Volt 600 Volt 15 - 35 \$420 \$720 \$1,225 36 - 60 \$475 \$720 \$1,225 61 - 100 \$505 \$815 \$1,225 101 - 225 \$1,070 N/A \$2,035 226 - 250 N/A N/A \$2,665 251 - 400 \$2,165 N/A \$2,815 401 - 600 N/A N/A \$3,610 601 - 800 N/A N/A \$4,325 801 - 1200 N/A N/A \$8,640 ③ 1201 - 2000 N/A N/A \$13,450 ③	see description	
Conduit Box (consult Marathon for optional boxes)	Oversized conduit box - 280 MAGNAPLUS® frames (except 281fr) Low profile conduit box - 360 MAGNAPLUS® frames Support bar for circuit breaker extension box - 430 MAGNAPLUS® frames Oversized conduit box - 430 MAGNAPLUS® frames Circuit breaker extension box - 570 through 740 frame	N/C N/C \$80 \$215 \$1,970	
Documentation	If required, two certified copies of production test reports, outline drawings, rotor weight & WK ² drawings and connection diagrams, and service manuals available upon receipt of purchase order.④ Performance data sheets, obsolete drawings, or drawings and additional technical data that is not available on website, a handling charge will apply. Decrement curves (calculated)	N/C \$125 \$210	
Dripcover	IP22 standards - Standard on all LIMA®MAC IP22 standards - 280 to 740 frame (MAGNAPLUS® 360 frame series with SAE #1 flywheel housing adaptor must use IP23 drip cover, see below) IP23 standards - 280 frame (all), 360 MAGNAPLUS®, 430 frame (all) IP23 standards - 570 frame IP23 standards - 740 frame	N/C \$105 \$340 \$400 \$480	

① All designs are intended for bottom entry (right side facing conduit box). Top entry would require the use of customer-provided trough or gutter.

② The designs are for copper (only) customer conductors, with compression-installed lugs. Stacking type lugs may be required depending upon the number of customer conductors.

③ Available in 570 and 740 Frame sizes (MAGNAMAX^{DVVR}) and includes box extension.

④ Please allow five to ten business days from PO receipt date for drawing delivery. Production test reports are not available until after generator shipment.

All prices shown are list prices

Modification Section: Generators

Modification	Description	List Price	*Build To Order
Export Packaging	250, 280, & 330 frames	\$260	
	360 frame	\$320	
	430 & 440 frames	\$440	
	570 & 580 frames	\$560	
	741 & 742 frames	\$690	
	743 & 744 frames	\$810	
Foot Options	Capacitor excited, frames 331 and 332 - 2 hole steel foot plate	N/C	
	Pancake generators frames 331 through 336 - 4 hole steel foot plate Consult factory for additional options	N/C	
Hydraulic Drive	280 Frame MagnaPlus. Standard SAE A, B, or C mounting flanges are available along with shaft options of 7/8" (13 tooth spline) or 1 1/4" (14 tooth spline)Ⓢ	\$1,230	*
Instrument Panel 4-Lead Single Phase Generators	Meter panel with voltmeter, ammeter and frequency meter and selector switch including current transformers. (MAGNAPLUS® frames 280, 360 and 430 only) Panel not suited for 120 V only applications.	\$1,175	
Instrument Panel Three Phase Generators	Meter panel with voltmeter, ammeter and frequency meter and selector switch including current transformers (not available on MAGNAMAX ^{DVR®}) 480 volts and lower	\$1,175	
Pilot Shaft (for use with Cat® Engine)	Pilot diameters (3.148", 3.935", 4.723", and 5.116")	\$630	
	Not available on 280-430 frame models		
PMG Excitation MAGNAPLUS® Units	Permanent Magnet Generator & PM300 Regulator 280, 360 & 430 frames	\$545	
	Permanent Magnet Generator & DVR®2000E+ Regulator 280, 360 & 430 frames	\$1,000	
Space Heaters 240/120 Volt	250 & 280 frame - LIMA®MAC (250: 125 watt; 280: 150 watt)	\$250	*
	280 & 360 frame - MAGNAPLUS® (280: 84 watt; 360: 250 watt)	\$340	
	360 & 440 frame - LIMA®MAC & 6 Pole SER® (360: 250 watt; 440: 350 watt)	\$315	
	430 & 570 frame - MAGNAMAX ^{DVR®} and MAGNAPLUS® (430: 250 watt; 570: 500 watt)	\$510	
	580 frame - LIMA®MAC only. (500 watt)	\$510	
	680 frame - LIMA®MAC only. (500 watt)	\$645	
	740 frame - MAGNAMAX ^{DVR®} (1000 watt)	\$905	
	1000 frame - MAGNAPOWER® (1250 watt)	\$1,005	*
Special Insulation	Special insulation system consisting of multiple dips and bakes of 100% solids varnish with epoxy overcoat for harsh environmental applications. This adder may also be used for Refrigerated Rail and Reefer configurations. (Contact factory for details for these configurations). 250 & 280 frame	\$320	*
	360 frame	\$480	*
	430 & 440 frame	\$1,275	*
	Tropical/fungus insulation system consisting of epoxy overcoat and fungus proofing for moisture protection. 250 & 280 frame	\$295	*
	360, 430 & 440 frame	\$330	*
	570, 580 & 680 frame	\$530	
	Tropical insulation (epoxy overcoat) on MAGNAMAX ^{DVR®} , MAGNAPLUS® and LIMA®MAC	standard	
	Vacuum pressure impregnation (480 & 600V Random Wound MAGNAMAX ^{DVR®}) 430 frame	\$1,730	*
	570 frame	\$2,605	*
	740 frame	\$4,185	*
Consult factory for other special insulation systems/requirements.			
Special Painting	Consult factory for available finishes	\$165	*
Special Windings	Special windings are available for Pancake, MAGNAPLUS®, and MAGNAMAX ^{DVR®} products. Consult factory for ratings and pricing.	consult factory	*
Standoff Assembly	430 & 570 MagnaMax consists of stud and linkbar assembly for terminating generator leads in low or high wye connections.	\$590	

Ⓢ Internal shaft spline available in 281 through 284 frames.



* Build-to-Order modifications require normal lead time, and cannot be performed on stock generators.
The base model number of MAGNAMAX^{DVR®} generators may change when build-to-order modifications are made.
Cat® is a registered trademark of Caterpillar Inc.

Modification Section: Voltage Regulators & Accessories

All prices shown are list prices

Modification	Description	List Price	*Build To Order
Temperature Detectors	Consult factory for possible RTD generator rating adjustment		
	Winding RTDs, (2 per phase) 100 ohm platinum standard, others optional.	\$1,590	*
	Thermocouples, Iron Constantine, Type J	\$720	*
	Thermostats, specify N.O. or N.C.	\$720	*
	Thermistors (1 per phase) must specify operating temperature	\$720	*
	Bearing RTD, 100 ohm platinum standard, others optional - MAGNAMAX ^{DVR®} only.	\$1,070	*
Two Bearing	MagnPlus, MagnaMax, and LimaMac generators are available in two bearing at same list price as single bearing. Generator shaft coupling not included.	N/C	
Current Boost System	CBS 305 and power current transformer for APR 63-5	\$1,270	
Dual Regulators	Two DVR [®] 2000E+ Regulators with change-over switch (570 & 740 MAGNAMAX ^{DVR®} only)	\$2,745	
Isolation/Step Down Transformer	SE350 and APR 63-5 Regulators: 312 VA, 240 V secondary, 240/480/600 V primary	\$645	
	APR 125-5, and SSR125 Regulators: 1000 VA, 120/240 V secondary, 208/240/416/480 V primary	\$825	
	1000 VA, 120/240 V secondary, 600 V primary	\$825	
	1000 VA, 120/240 V secondary, 2400/3300/4160 V primary	\$1,990	
Manual Voltage Control Module	MVC 300 for APR 63-5, APR 125-5, and DVR [®] 2000E+ regulators	\$1,455	
	MVC 108 - Used with DVR [®] 2000E+ when EMI suppression to MIL-STD 461C needs to be maintained (furnished loose for mounting by others)	\$4,725	
Paralleling C/Ts	DVR [®] 2000E+ (600 V and Lower)	\$395	
	DVR [®] 2000E+ (602 - 4999 V)	\$845	
	DVR [®] 2000E+ (5000 - 6600 V)	\$1,680	
Paralleling Module (includes C/T)	APM 2000 for SE350, PM300, APR 63-5, and APR 125-5 regulators (three phase systems only)	\$710	
Sensing Transformer	Medium voltage potential transformer used for regulator sensing only—will not support additional accessories. 15 VA up to 4160 V for DVR [®] 2000E+ (Single Phase)	\$535	
	A 3 phase 15 VA/phase up to 4160 V for DVR [®] 2000E+ (Three Phase) Consult factory for voltages greater than 4160 V.	\$1,080	
Voltage Adjust Rheostat	For SE350 regulators	\$115	
	For all other regulators except DVR [®] 2000E+		standard
Voltage Adjust Switch	For DVR [®] 2000E+ only	\$35	
Voltage Regulators List Price Adder (for substituting AVR for standard unit)	SE350 MAGNAPLUS [®] and Pancake	standard	
	No regulator - MAGNAPLUS [®] and Pancake	deduct \$55 net	
	VR63-4C - MAGNAPLUS [®] (120 Volt systems only)	\$195	
	AVC63-4A - MAGNAPLUS [®]	\$105	
	APR 63-5 - MAGNAPLUS [®]	\$295	
	APR 125-5 - MAGNAPLUS [®]	\$745	
	AVC 63-12B1 50/60 Hz	\$515	
	AVC63-12B2 - 400 Hertz only	standard	
	DVR [®] 2000E+ - All MAGNAMAX ^{DVR®}	standard	
	No regulator - MAGNAMAX ^{DVR®}	deduct \$115 net	
PM300 - MAGNAMAX ^{DVR®}	deduct \$25 net		
DVR [®] 2000EC - All MAGNAMAX ^{DVR®} (with VAR/PF controller installed)	\$515		
SSR125-12 - All MAGNAMAX ^{DVR®} (furnished loose for mounting by others)	\$3,760		
1000 Frame	1000 frame medium voltage (to 6600 V) and high voltage (to 13800 V) modifications are order specific. Consult factory with your requirements.		

Modification Section: Testing

All prices shown are list prices

Modification	Description	List Price	
Special Testing	Basic setup charge	\$1,280	
	MIL-STD-705C		
	Method		
	410.1	Open Circuit Saturation Curve	\$250
	411.1	Synchronous Impedance Curve - Short-Circuit Saturation Curve	\$280
	412.1	Zero-Power Factor Saturation Curve - 1875 kVA maximum @ 480 volts	\$500
	413.1	Rated Load Current Saturation Curve - 1875 kVA maximum @ 480 volts	\$550
	415.0	Summation of Losses - units of 50 kW and larger	\$675
	415.0	Summation of Losses - units of less than 50 kW	\$550
	420.1	Short Circuit Ratio	\$265
	421.1	Direct-Axis Synchronous Reactance (Xd)	\$250
	422.1	Negative Sequence Reactance (X2)	\$250
	423.1	Zero-Sequence Reactance (X0)	\$200
	425.1	Direct-Axis Transient Reactance (X'd)	\$500
	426.1	Direct-Axis Subtransient Reactance (X''d)	\$345
	427.1	Direct-Axis Transient Short Circuit Time Constant (T'd)	\$345
	430.1	Direct-Axis Transient Open Circuit Time Constant (T'do)	\$520
	432.1	Short Circuit Time Constant of Armature Windings (Ta)	\$340
	505.1	Overspeed	\$200
	511.1	Voltage Regulator Range - 1875 kVA maximum @ 480 volts	\$1,295
	601.1	Voltage Waveform (Oscillographic) - 1875 kVA maximum @ 480 volts	\$800
	601.1	Voltage Waveform (Deviation Factor) - run in conjunction with 601.4	N/C
	601.4	Voltage Waveform (Harmonic Analysis) - 1875 kVA maximum @ 480 volts	\$480
	611.1	Inherent Voltage Droop (generator only) - 1250 kVA maximum	\$720
	615.1	Inherent Voltage Regulation (generator only) - 1125 kVA maximum @ 480 volts	\$720
	620.1	Voltage Unbalance with Unbalanced Load (Line-to-Neutral Load)	\$320
	620.2	Voltage Unbalance with Unbalanced Load (Line-to-Line Load)	\$320
	625.1	Short Circuit (Mech. Strength) - 3 phase only, 7000 amp maximum	\$750
	680.1	Temperature Rise (generator only) - Heat Run: 5-100 kW	\$900
	680.1	Temperature Rise (generator only) - Heat Run: 101-500 kW	\$1,105
680.1	Temperature Rise (generator only) - Heat Run: 501-1500 kW @ 480 volts	\$1,600	
Standard Testing	Winding resistance, 401.1a	N/C	
	Insulation resistance of all windings, 301.1b	N/C	
	High potential test on all windings, 302.1a	N/C	
	Exciter check	N/C	
	Regulator operation	N/C	
	Exciter field current	N/C	
	Voltage balance	N/C	
	Overspeed (1 Min.)	N/C	
Witness Testing	Additional daily charge for witnessing by customer or customer's agents	\$905	

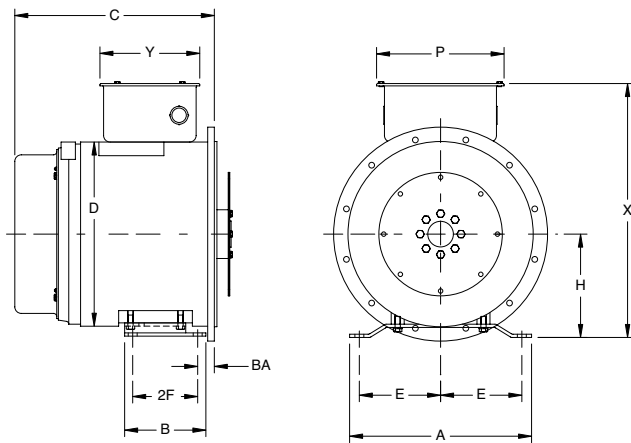
General Notes (Applicable to price on pages 1 through 47)

- A. All base models listed (except MAGNAPOWER®) are single bearing with two bearings available as a no-charge option. Pricing includes flexible drive discs, SAE adapter, standard voltage regulator, and full guarding. Drip covers are optional. All voltage regulators have underspeed protection, EMI filtering, and are encapsulated for moisture protection.
- B. MAGNAPLUS® and MAGNAMAX^{DVR}® products have Class H insulation. LIMA®MAC products have Class H insulation on the rotor, and Class F insulation on the stator. MAGNAPOWER® products have Class H insulation for 4160V and below, and Class F insulation for above 4160V. Pancake products have Class F insulation except for Model 334RSA3010, which is Class H insulation. Rating columns headed NEMA B, F, and H indicate that generators operated at the specified ratings will not exceed the temperature rise limitation for the specified Class of insulation specified in NEMA MG1-22.40. The rating columns do not specify the Class of insulation used in the generator's construction.
- C. The frame size for each model is the first 3 or 4 digits of the model number.
- D. All generator ratings listed in this publication are based upon temperature rises measured by the resistance method as defined by MIL-STD-705C and IEEE STD 115, Method 6.4.4. For ratings at rises as measured by embedded temperature detectors, consult Marathon.
- E. Pancake AVR and MAGNAPLUS® products are shunt-excited (non-PMG) generators. The automatic voltage regulator derives input power from the generator's output leads.
- F. MAGNAMAX^{DVR}® and MAGNAPOWER® generators incorporate a Permanent Magnet Generator (PMG) as the input power source for the voltage regulator.

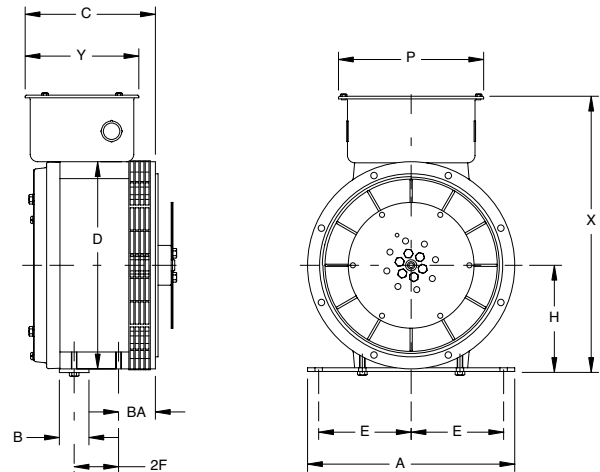
Dimensions in inches and (millimeters)

Pancake (AVR and Capacitor)

ALL DIMENSIONS ARE APPROXIMATE: Contact factory for full dimensional data



AVR Ratings 331-334 Frames



Capacitor Ratings 201-332 Frames

Pancake AVR Ratings on page 15

Type	Frame Size	A	B	C	D	E	H	P	X	Y	BA	2F
Pancake	331	14.0 (356)	6.25 (159)	10.6 (269)	14.0 (356)	6.25 (159)	7.95 (202)	11.3 (287)	19.0 (483)	5.8 (147)	1.17 (30)	5.0 (127)
	332	14.0 (356)	6.25 (159)	11.6 (295)	14.0 (356)	6.25 (159)	7.95 (202)	11.3 (287)	19.0 (483)	5.8 (147)	1.17 (30)	5.0 (127)
	333	14.0 (356)	6.25 (159)	14.0 (356)	14.0 (356)	6.25 (159)	7.95 (202)	11.3 (287)	19.0 (483)	5.8 (147)	1.28 (33)	5.0 (127)
	334	14.0 (356)	6.25 (159)	14.4 (366)	14.0 (356)	6.25 (159)	7.95 (202)	11.3 (287)	19.0 (483)	5.8 (147)	1.28 (33)	5.0 (127)

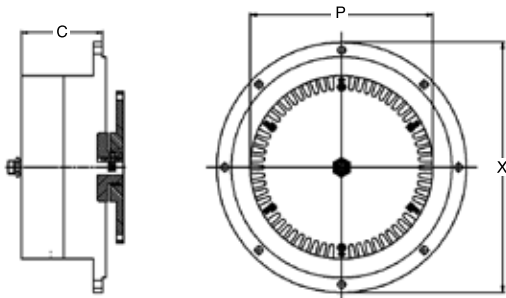
Pancake Capacitor Ratings on page 33

Capacitor	Frame Size	A	B	C	D	E	H	P	X	Y	BA	2F
Capacitor	201	8.17 (208)	4.0 (102)	9.62 (244)	10.75 (273)	3.3 (84)	6.92 (176)	8.62 (219)	15.69 (399)	4.15 (113)	2.5 (63.5)	3.0 (76)
	332	14.0 (356)	2.0 (51)	8.25 (210)	14.0 (356)	6.25 (159)	7.2 (183)	11.3 (287)	18.1 (460)	5.8 (147)	5.49 (140)	N/A

Dimensions in inches and (millimeters)

MAGNALITE®

ALL DIMENSIONS ARE APPROXIMATE: Contact factory for full dimensional data

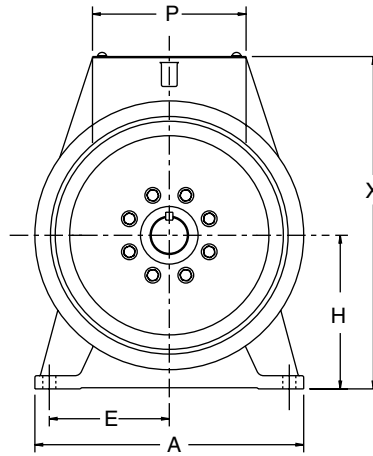
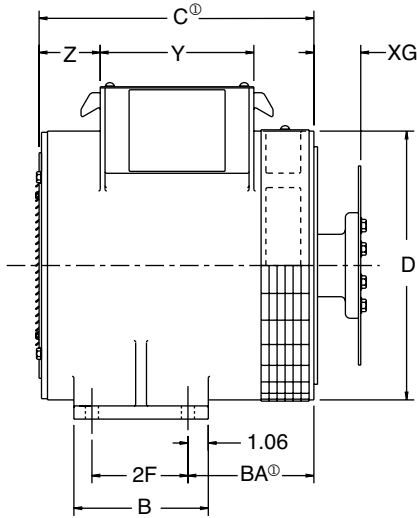


Frame Size	C	P	X
191	5.0 (127)	10.25 (260)	14.0 (356)

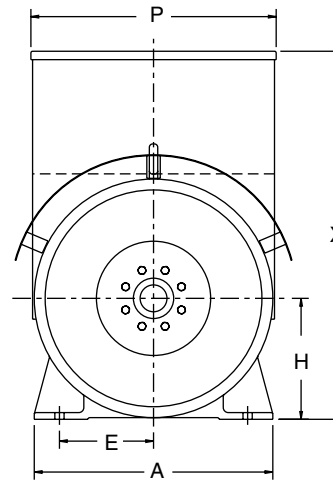
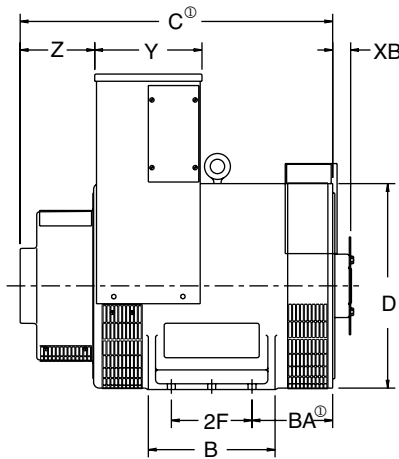
Dimensions in inches and (millimeters)

LIMA SER®
LIMA®MAC

ALL DIMENSIONS ARE APPROXIMATE: Refer to Dimension Section of the Generator Catalog for full dimensional data



250 Frame



280-680 Frame

280 LIMA®MAC has split side-mount connection box.

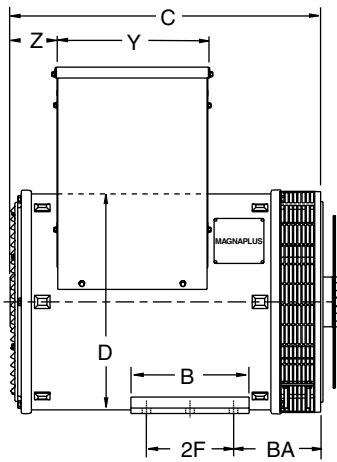
Type	Frame Size	A	B	BA ^①	C ^①	D	E	2F	H	P	X	Y	Z
Lima SER® LIMA®MAC	250	14.00 (356)	7.00 (178)	6.56 (167)	14.31 (363)	14.00 (356)	6.25 (159)	5.00 (127)	8.00 (203)	8.00 (203)	17.31 (440)	8.00 (203)	3.18 (81)
	280	14.00 (356)	7.00 (178)	6.56 (167)	20.88 (530)	13.00 (330)	6.25 (159)	5.00 (127)	8.00 (203)	18.38 (467)	25.06 (637)	9.37 (238)	3.94 (100)
	360 ^②	17.75 (451)	11.00 (279)	7.00 (178)	27.12 (689)	17.75 (451)	7.00 (178)	7.00 (178)	9.00 (229)	18.38 (467)	27.38 (695)	9.31 (236)	6.47 (164)
	361 ^②	17.75 (451)	11.00 (279)	7.00 (178)	27.12 (689)	17.75 (451)	7.00 (178)	7.00 (178)	9.00 (229)	18.38 (467)	27.38 (695)	9.31 (236)	6.47 (164)
	362 ^②	17.75 (451)	11.00 (279)	7.00 (178)	31.12 (793)	17.75 (451)	7.00 (178)	7.00 (178)	9.00 (229)	18.38 (467)	27.38 (695)	9.31 (236)	6.47 (164)
	440 ^②	21.25 (540)	14.00 (356)	6.63 (168)	31.50 (800)	21.75 (552)	9.00 (229)	11.00 (279)	11.00 (279)	22.25 (565)	32.21 (818)	12.31 (313)	6.34 (161)
	441 ^②	21.25 (540)	14.00 (356)	6.63 (168)	31.50 (800)	21.75 (552)	9.00 (229)	11.00 (279)	11.00 (279)	22.25 (565)	32.21 (818)	12.31 (313)	6.34 (161)
	580	25.75 (654)	14.00 (356)	10.00 (254)	36.62 (930)	25.75 (654)	11.50 (292)	11.00 (279)	14.50 (368)	26.13 (664)	37.12 (943)	18.31 (465)	6.34 (161)
	680	26.00 (660)	17.00 (432)	8.00 (203)	38.12 (968)	28.00 (711)	11.50 (356)	14.00 (356)	14.50 (368)	28.38 (721)	38.75 (984)	18.25 (464)	6.37 (162)

- Notes: ① This dimension will vary dependent upon adaption used.
 ② Delco feet available on these Lima SER® designs.
 ③ Lima SER® not available in 580 & 680 frame sizes.

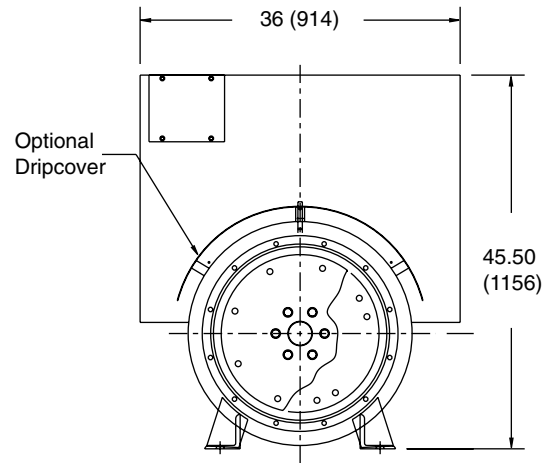
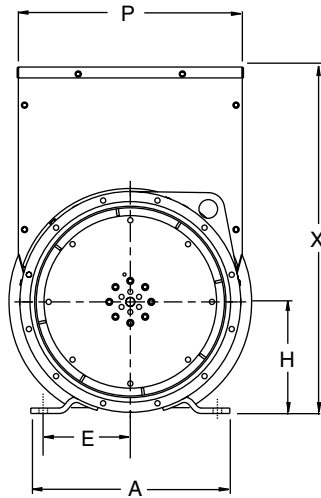
Dimensions in inches and (millimeters)



ALL DIMENSIONS ARE APPROXIMATE: Contact factory for full dimensional data



280-430 frame



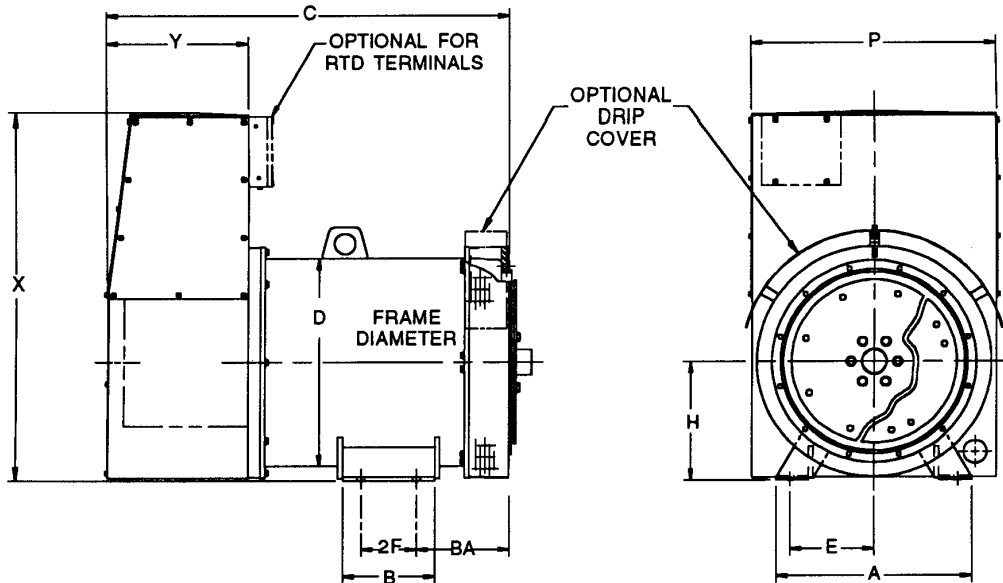
Optional Box (for 430 frame only)

Frame Size	A	B	BA	C	C with PMG	D	E	2F	H	P	X	Y	Z
281PSL	14.00	7.00	6.56	15.95	N/A	13.64	6.25	5.00	8.00	13.55	18.56	6.86	3.50
	(356)	(178)	(167)	(405)		(349)	(159)	(127)	(203)	(344)	(471)	(174)	(89)
281CSL	14.00	7.00	6.56	16.34	N/A	13.75	6.25	5.00	8.00	13.55	18.56	6.86	3.50
	(356)	(178)	(167)	(415)		(349)	(159)	(127)	(203)	(344)	(471)	(174)	(89)
282PSL	14.00	7.00	6.56	18.50	23.10	13.64	6.25	5.00	8.00	13.55	18.56	8.93	3.42
	(356)	(178)	(167)	(470)	(587)	(346)	(159)	(127)	(203)	(344)	(471)	(227)	(87)
282CSL	14.00	7.00	6.56	18.35	N/A	13.75	6.25	5.00	8.00	13.55	18.56	8.93	3.42
	(356)	(178)	(167)	(466)		(349)	(159)	(127)	(203)	(344)	(471)	(227)	(87)
283PSL	14.00	7.00	6.56	20.50	25.10	13.64	6.25	5.00	8.00	13.55	18.56	8.93	3.42
	(356)	(178)	(167)	(521)	(638)	(346)	(159)	(127)	(203)	(344)	(471)	(227)	(87)
283CSL	14.00	7.00	6.56	20.83	N/A	13.75	6.25	5.00	8.00	13.55	18.56	8.93	3.42
	(356)	(178)	(167)	(529)		(349)	(159)	(127)	(203)	(344)	(471)	(227)	(87)
284PSL	14.00	7.00	6.56	22.75	27.40	13.64	6.25	5.00	8.00	13.55	18.56	8.93	3.42
	(356)	(178)	(167)	(578)	(696)	(346)	(159)	(127)	(203)	(344)	(471)	(227)	(87)
284CSL	14.00	7.00	6.56	22.83	N/A	13.75	6.25	5.00	8.00	13.55	18.56	8.93	3.42
	(356)	(178)	(167)	(580)		(349)	(159)	(127)	(203)	(344)	(471)	(227)	(87)
285PSL	14.00	7.00	11.56	25.00	29.60	13.64	6.25	5.00	8.00	13.55	18.56	8.93	3.42
	(356)	(178)	(294)	(635)	(752)	(346)	(159)	(127)	(203)	(344)	(471)	(227)	(87)
286PSL	14.00	7.00	11.56	27.00	31.60	13.64	6.25	5.00	8.00	13.55	18.56	8.93	3.42
	(356)	(178)	(294)	(686)	(803)	(346)	(159)	(127)	(203)	(344)	(471)	(227)	(87)
287PSL	14.00	7.00	11.56	29.00	33.60	13.64	6.25	5.00	8.00	13.55	18.56	8.93	3.42
	(356)	(178)	(294)	(737)	(853)	(346)	(159)	(127)	(203)	(344)	(471)	(227)	(87)
361	16.00	9.50	7.00	24.96	30.06	17.35	7.00	7.00	9.00	18.19	27.85	12.44	3.52
	(406)	(241)	(178)	(634)	(764)	(441)	(178)	(178)	(229)	(462)	(707)	(316)	(89)
362	16.00	9.50	7.00	28.59	33.69	17.35	7.00	7.00	9.00	18.19	27.85	12.44	3.52
	(406)	(241)	(178)	(726)	(856)	(441)	(178)	(178)	(229)	(462)	(707)	(316)	(89)
363	16.00	9.50	10.50	31.72	36.81	17.35	7.00	7.00	9.00	18.19	27.85	12.44	3.52
	(406)	(241)	(267)	(806)	(935)	(441)	(178)	(178)	(229)	(462)	(707)	(316)	(89)
431	21.46	15.00	10.00	33.89	38.27	22.64	9.00	11.00	13.00	24.97	36.10	16.00	2.66
	(545)	(381)	(254)	(861)	(972)	(575)	(229)	(279)	(330)	(634)	(917)	(406)	(68)
432	21.46	15.00	10.00	37.39	41.77	22.64	9.00	11.00	13.00	24.97	36.10	16.00	2.66
	(545)	(381)	(254)	(950)	(1061)	(575)	(229)	(279)	(330)	(634)	(917)	(406)	(68)
433	21.46	15.00	10.00	42.39	46.77	22.64	9.00	11.00	13.00	24.97	36.10	16.00	2.66
	(545)	(381)	(254)	(1077)	(1188)	(575)	(229)	(279)	(330)	(634)	(917)	(406)	(68)

Dimensions in inches and (millimeters)

MAGNAMAX^{DVR}

ALL DIMENSIONS ARE APPROXIMATE: Contact factory for full dimensional data



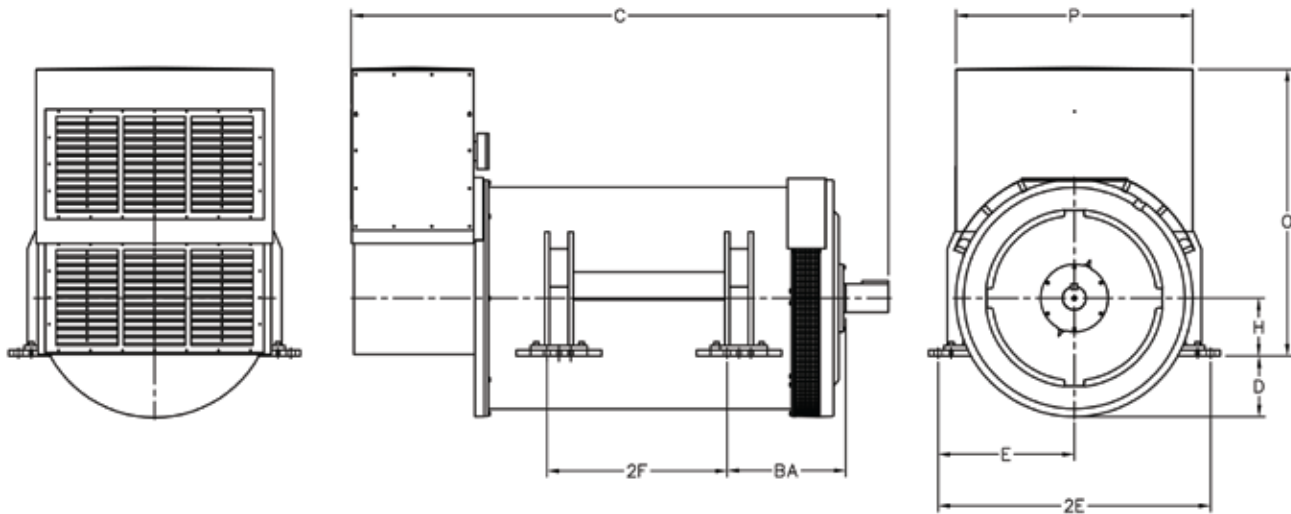
Frame Size	A	B	BA	C	D	E	2F	H	P	X	Y
431	21.00 (533)	10.00 (254)	10.00 (254)	38.40 (975)	22.64 (575)	9.00 (229)	6.00 (152)	13.00 (330)	26.51 (673)	39.77 (1010)	15.21 (386)
432	21.00 (533)	10.00 (254)	10.00 (254)	43.40 (1102)	22.64 (575)	9.00 (229)	6.00 (152)	13.00 (330)	26.51 (673)	39.77 (1010)	15.21 (386)
433	21.00 (533)	15.00 (381)	10.00 (254)	49.40 (1255)	22.64 (575)	9.00 (229)	11.00 (279)	13.00 (330)	26.51 (673)	39.77 (1010)	15.21 (386)
570	24.00 (610)	15.00 (381)	11.50 (292)	55.92 (1420)	22.64 (575)	10.00 (254)	11.00 (279)	15.50 (394)	30.77 (782)	42.64 (1083)	17.21 (437)
572	22.50 (572)	15.00 (381)	11.50 (292)	51.52 (1308)	27.64 (702)	10.00 (254)	11.00 (279)	15.50 (394)	30.77 (782)	42.64 (1083)	17.21 (437)
573	22.50 (572)	24.00 (610)	11.50 (292)	58.02 (1474)	27.64 (702)	10.00 (254)	20.00 (508)	15.50 (394)	30.77 (782)	42.64 (1083)	17.21 (437)
574	22.50 (572)	24.00 (610)	11.50 (292)	65.02 (1651)	27.64 (702)	10.00 (254)	20.00 (508)	15.50 (394)	30.77 (782)	42.64 (1083)	17.21 (437)
575	22.50 (572)	24.00 (610)	11.50 (292)	69.27 (1759)	27.64 (702)	10.00 (254)	20.00 (508)	15.50 (394)	30.77 (782)	42.64 (1083)	19.21 (488)
740	33.00 (838)	27.00 (686)	12.00 (305)	71.37 (1813)	27.64 (702)	15.00 (381)	23.00 (584)	19.00 (483)	30.77 (782)	51.45 (1307)	19.21 (488)
741	33.00 (838)	27.00 (686)	12.00 (305)	65.81 (1672)	34.24 (870)	15.00 (381)	23.00 (584)	19.00 (483)	38.02 (966)	51.45 (1307)	21.24 (539)
742	33.00 (838)	27.00 (686)	12.00 (305)	72.81 (1849)	34.24 (870)	15.00 (381)	23.00 (584)	19.00 (483)	38.02 (966)	51.45 (1307)	21.24 (539)
743	33.00 (838)	41.00 (1041)	12.00 (305)	79.31 (2014)	34.24 (870)	15.00 (381)	37.00 (940)	19.00 (483)	38.02 (966)	51.45 (1307)	21.24 (539)
744	33.00 (838)	41.00 (1041)	12.00 (305)	85.81 (2180)	34.24 (870)	15.00 (381)	37.00 (940)	19.00 (483)	38.02 (966)	51.45 (1307)	21.24 (539)

Note: Connection boxes shown are furnished as standard product. Consult factory for optional connection boxes.

Dimensions in inches and (millimeters)

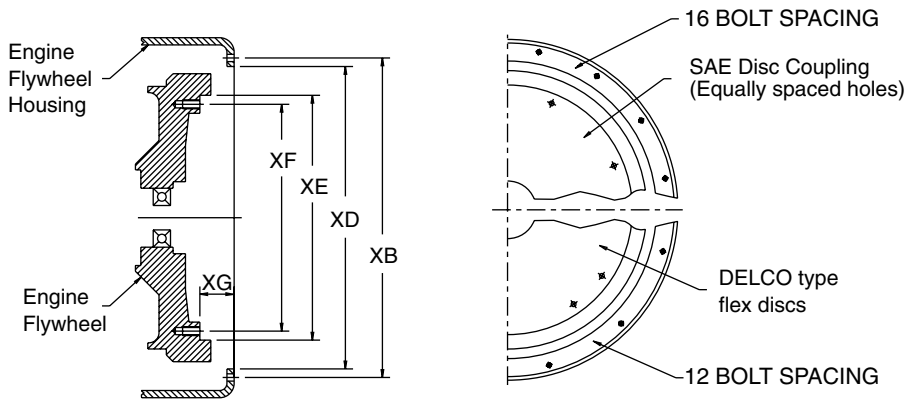


ALL DIMENSIONS ARE APPROXIMATE: Contact factory for full dimensional data



Frame Size	BA	C	D	E	2E	2F	H	O	P
1020	25.03 (636)	107.89 (2740)	12.78 (325)	28.75 (730)	57.50 (1460)	31.00 (787)	12.25 (311)	60.47 (1536)	50.00 (1270)
1030	25.03 (636)	113.36 (2879)	12.78 (325)	28.75 (730)	57.50 (1460)	38.00 (965)	12.25 (311)	60.47 (1536)	50.00 (1270)
1040	25.03 (636)	127.05 (3227)	12.78 (325)	28.75 (730)	57.50 (1460)	45.00 (1143)	12.25 (311)	63.42 (1610)	63.54 (1613)

Note: Connection boxes shown are furnished as standard product. Consult factory for optional connection boxes.



Technical Data

Standard SAE Dimensions

in inches and (millimeters)

Engine Flywheel Housing Dimensions				
SAE No.	XD	XB	Tapped Holes	
			Qty.	Size
00	31.000 (787)	33.50 (851)	16	1/2-13
0	25.500 (647)	26.75 (679)	16	1/2-13
1/2	23.000 (584)	24.38 (619)	12	1/2-13
1	20.125 (511)	20.88 (530)	12	7/16-14
2	17.625 (448)	18.38 (467)	12	3/8-16
3	16.125 (410)	16.88 (429)	12	3/8-16
4	14.250 (362)	15.00 (381)	12	3/8-16
5	12.375 (314)	13.12 (333)	8	3/8-16
6	10.500 (267)	11.25 (283)	8	3/8-16

Engine Flywheel Dimensions						
Size	XE	XF	XG	Tapped Holes		
				Qty.	Size	
SAE 21	26.500 (673)	25.25 (641)	0 (0)	12	5/8-11	
SAE 18	22.500 (572)	21.38 (543)	.62 (16)	6	5/8-11	
SAE 14	18.375 (467)	17.25 (438)	1.00 (25)	8	1/2-13	
SAE 11-1/2	13.875 (352)	13.12 (333)	1.56 (40)	8	3/8-16	
SAE 10	12.375 (314)	11.62 (295)	2.12 (54)	8	3/8-16	
SAE 8	10.375 (264)	9.62 (244)	2.44 (62)	6	3/8-16	
SAE 7-1/2	9.500 (241)	8.75 (222)	1.19 (30)	8	5/16-18	
SAE 6-1/2	8.500 (210)	7.88 (200)	1.19 (30)	6	5/16-18	
Delco 17.75	17.755 (451)	15.50 (394)	.72 (18)	8	5/8-11	
Delco 15.50	15.500 (394)	13.88 (353)	.72 (18)	8	5/8-11	
Delco 12.75	12.750 (324)	11.00 (279)	0 (0)	4	1/2-13	

Technical Data

Mounting Arrangement Cross Reference

Adapter Size	Coupling Size	Available in Frame Sizes											
		MAGNAPLUS® and MAGNAMAX ^{DVR} ®					Pancake	Lima SER® and LIMA®MAC					
		280 PLUS	360 PLUS	430 PLUS/MAX	570 MAX	740 MAX	330	250	280	360	440	580	680
6	6.5						CF						
5	6.5	Std.					Std.	Std.	Std.				
5	7.5	Std.					Std.	Std.	Std.				
5	8	Std.					Std.	Std.	Std.				
5	Lister AI	Build-up					Build-up	Build-up	Build-up				
4	6.5	Std.					Std.	Std.	Std.	Std.			
4	7.5	Std.	Std.				Std.	Std.	Std.	Std.			
4	8	Std.	Std.				Std.	Std.	Std.	Std.			
4	10	Std.	Std.				Std.	Std.	Std.	Std.	Std.		
4	Lister TS	Build-up					Build-up	Build-up					
3	8	Std.	Std.				Std.		Std.	Std.			
3	10	Std.	Std.	Std.			Std.		Std.	Std.	Std.		
3	11.5	Std.	Std.	Std.					Std.	Std.	Std.		
3	DDC 12.75	Build-up	Build-up						Std.1	Std.1			
2	10	Std. 1	Std.	Std.					Std.	Std.	Std.		
2	11.5	Std. 1	Std.	Std.					Std.	Std.	Std.		
2	DDC 15.50	CF	Build-up	Std.					Std.	Std.	Std.		
1	11.5		Std.	Std.						Std.	Std.		
1	14		Build-up	Std.	Std.					Std.	Std.	Std.	Std.
1	DDC 17.75		Build-up	Std.	Std.					Std.	Std.	Std.	Std.
1/2	DDC 17.75			Std.	Std.						Std.	Std.	Std.
1/2	14			Std.	Std.						Std.	Std.	Std.
0	DDC 17.75			Std.		Std.					Std.1	Std.	Std.
0	14			Std.	Std.						Std.1	Std.	Std.
0	18			Std.	Std.	Std.						Std.	Std.
00	18				Std.	Std.							
00	21				Std.	Std.							

Notes: CF = Consult factory for price and availability.
 Std. = Standard adaption available at no additional cost.
 Std.1 = Adaption is available for standard units, but at extra cost. Consult factory for pricing.
 Build-up = Requires non-standard shaft. Consult factory for lead times.

Technical Data

Environmental and Special Considerations

Once the size of the generator has been determined, it is important to review the environmental and special conditions which may affect the life of the generator. Some of the most common conditions which may require special attention are outlined below.

ALTITUDE / AMBIENT – For applications over 3300 feet elevation or where the temperature of the ventilating air to the generator exceeds 40°C (104°F), derating of the generator will be necessary. To determine the derating, use the chart below by moving vertically on the specified altitude to the horizontal line that matches the required ambient temperature, then select the derating required.

ABRASIVE DUSTS – When it is possible that airborne abrasive dusts will be introduced to the generator with the ventilating air, additional protection is recommended. Dirt, sand, volcanic ash, gravel, rock dust, etc. are typical of this type of application. Although the generator windings are protected against abrasive environments, severe conditions may warrant protection by means of baffles, housings and filters, or other suitable means. Refer to Marathon Electric for recommendations.

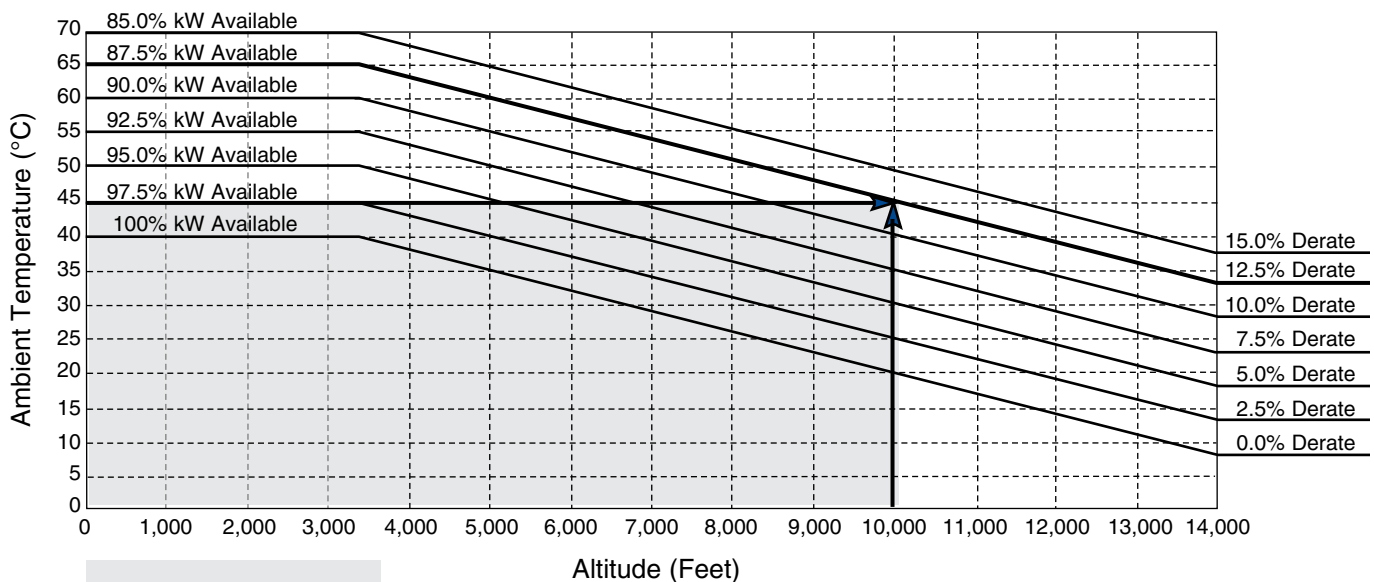
HIGH HUMIDITY AND TROPICAL CLIMATE – In moist or humid areas such as the Tropics, coastal areas, and all marine service, additional protection is recommended. Although the standard windings are humidity and moisture resistant, space heaters are required for these environments.

OUTDOOR APPLICATION – All generators for outdoor application must be protected from the elements by sheet metal housings with the proper openings for ventilation. This protection should be designed to prevent the direct contact of wind driven rain, snow, or dust with the generator. Space heaters are recommended depending on location and type of service. Refer to Marathon Electric for recommendations on enclosure requirements.

NON-LINEAR LOADING – Solid state electronic control devices which utilize thyristors or SCR firing circuits (such as variable frequency induction motor controls, precision motor speed controls, no-break powered battery chargers, etc.) can introduce high frequency harmonics which adversely affect the normal waveform of the generator. This creates additional heat in the generator stator and rotor and can cause overheating. These devices can and do present problems to non-utility power generating equipment or any limited power bus system. The problems which can occur are not limited to the generator itself, but can affect the solid state control device, the equipment it controls, other associated loads, monitoring devices or a number of combinations over the entire system.

It is important that the control manufacturer, the generator manufacturer, and the systems engineer work together to insure the proper selection of all components. Please refer to Marathon for application assistance.

ALTITUDE/AMBIENT RATING ADJUSTMENT

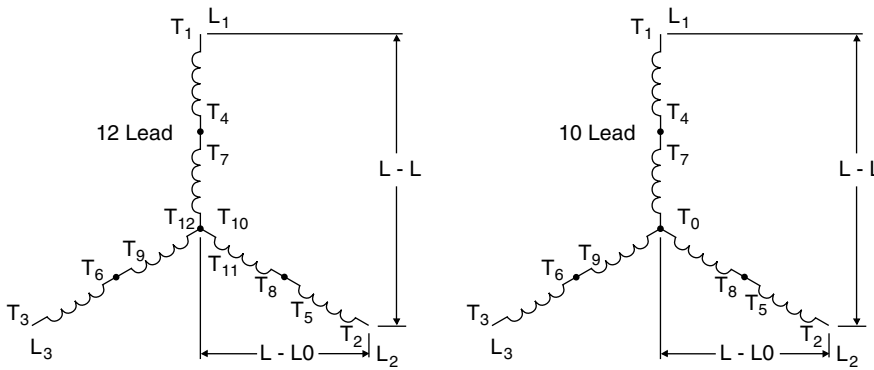


Example:
 Elevation: 10,000 feet
 Ambient: 45°C
 Required Derate: 12.5%
 Catalog Rating x .875

Technical Data

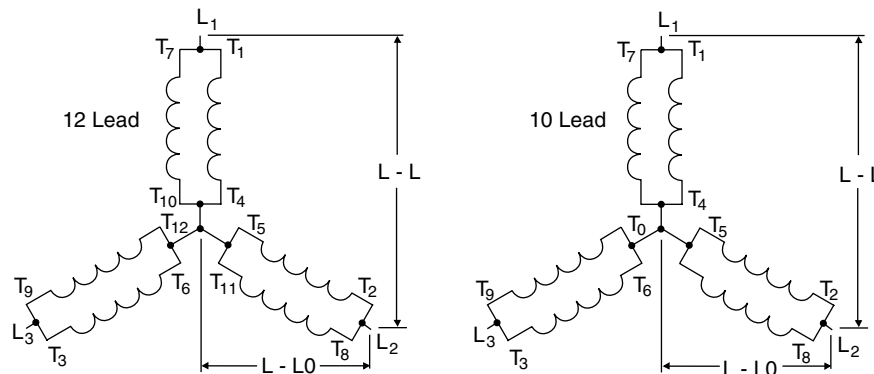
Connection Diagrams

SERIES HIGH WYE



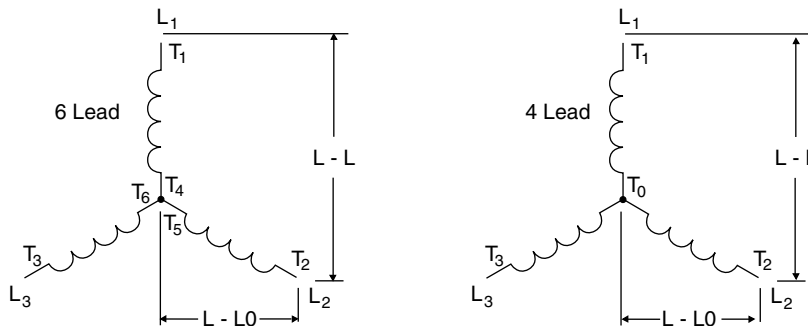
Voltage		
HZ	L-L	L-L0
60	380	219
	416	240
	440	254
	460	266
	480	277
50	380	219
	400	231
	415	240
	440	254

PARALLEL LOW WYE



Voltage		
HZ	L-L	L-L0
60	190	110
	208	120
	220	127
	230	133
	240	139
50	190	110
	200	115
	208	120
	220	127

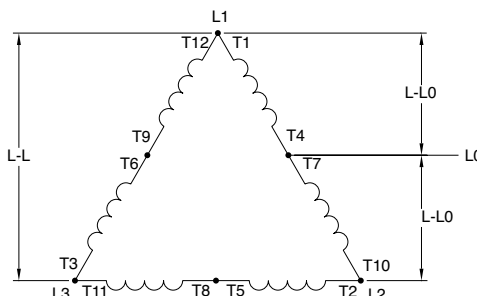
WYE



Voltage		
HZ	L-L	L-L0
60	380	219
	480	277
	600	346
	2400	1386
	3300	1905
	4160	2402
	6600	3811
	13800	7967
50	380	219
	400	231
	415	240
	3300	1905
	6600	3811

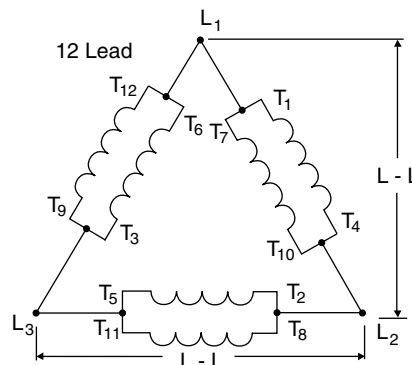
SERIES HIGH DELTA

Voltage		
HZ	L-L	L-L0
60	240	120
	277	139
50	200	100
	220	110
	240	120



PARALLEL LOW DELTA

Voltage	
HZ	L-L
60	110
	120
50	100
	110

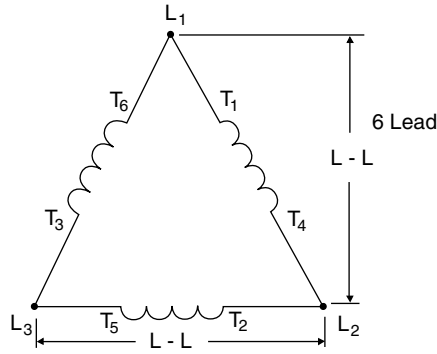


Technical Data

Connection Diagrams

DELTA

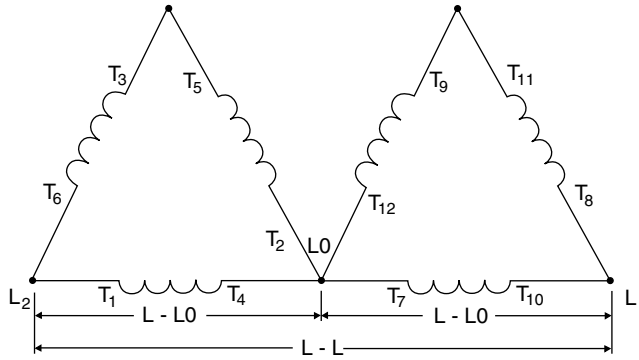
Voltage	
HZ	L-L
60	2402
	7967
50	1905
	6351



DOUBLE DELTA

Single Phase Connection ①

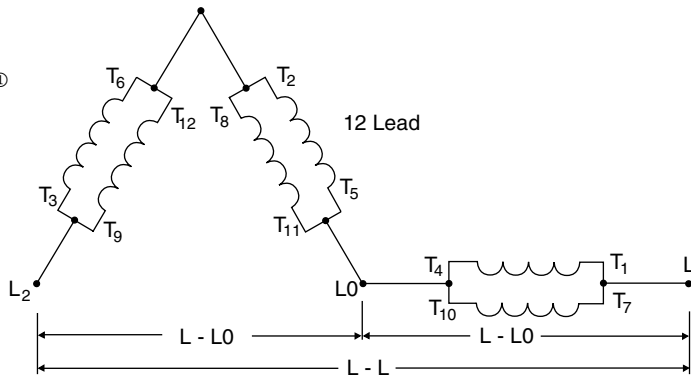
Voltage		
HZ	L-L	L-L0
60	200	100
	220	110
	240	120
50	220	110



PARALLEL LOW ZIGZAG

Single Phase Connection ①

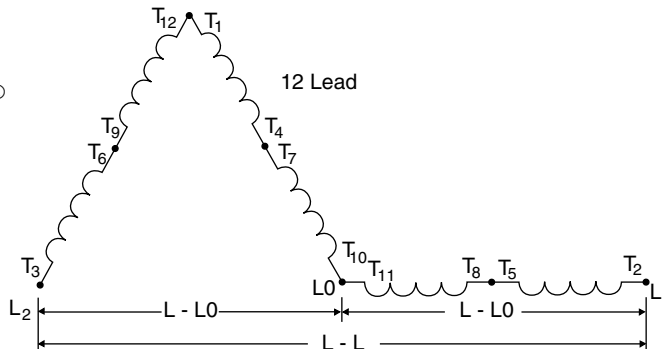
Voltage		
HZ	L-L	L-L0
60	200	100
	220	110
	240	120
50	220	110



SERIES HIGH ZIGZAG

Single Phase Connection ①

Voltage		
HZ	L-L	L-L0
60	480	240
50	440	220



① Single phase kW/kVA ratings are approximately equal to 50% of the generator's three phase ratings.

Technical Data

Automatic Voltage Regulator Features

Feature	STANDARD MODELS			SPECIAL (OPTIONAL) MODELS								
	SE350	DVR2000E+	AVC63-12	DVR2000EC	PM300	AVC63-4A	VR63-4	VR63-4A	VR63-4C	APR 63-5	APR125-5	SSR125-12
Analog Input	No	Yes	Yes	Yes	No	No	No	No	No	No	No	No
Min. Exciter Field Resistance Ohms	15.0	18.0	5.25	18.0	21.0	15.0	15.0	15.0	15.0	12.6	25.0	10.0
Voltage Regulation No Load to Full Load	1.0%	0.25%	0.5%	0.25%	1.0%	1.0%	1.0%	1.0%	1.0%	0.25%	0.25%	0.25%
Underspeed Protection	Yes	Yes	Yes	Yes	Yes	Yes	Yes	Yes	Yes	Yes	Yes	Yes
Overexcitation Protection	Yes	Yes	Yes	Yes	Yes	Yes	Yes	Yes	Yes	Yes	Yes	Yes
EMI / RFI Filtering ①	Yes	Yes②	Yes	Yes②	Yes	Yes	Yes	Yes	Yes	Yes	Yes	Yes
Unit Mounted Voltage Adjust	Std.	Std.	Std.	Std.	Std.	Std.	Std.	Std.	Std.	Std.	Std.	Std.
Overvoltage Protection	No	Std.	No	Std.	No	No	No	No	No	Opt.	Opt.	Opt.
Encapsulated	Yes	Yes	Yes	Yes	Yes	Yes	Yes	Yes	Yes	Yes	Yes	Yes
Paralleling ③	Opt ④	Std.	Std.	Std.	Opt ④	No	Opt ④	No	No	Opt ④	Opt ④	Opt ④
Line Drop Comp.	No	No	Yes	No	No	No	No	No	No	No	No	No
VAR/PF Controller	No	No	Opt ⑤	Yes	No	No	No	No	No	No	No	Opt ⑤
Input Power - VAC	240	PMG	120	PMG	PMG	120	240	240	120	240	240	240
Cont. Output - ADC	3.5	3.0	12.0	3.0	3.0	4.0	4.0	4.0	4.0	5.0	5.0	12.0
Cont. Output - VDC	63	75	63	75	63	63	63	63	63	63	125	125
Sensing Input - VAC	190-240	95-600	Option B: 180-264	95-600	190-240	95-139 190-277	190-240	95-139	95-139	190-277 380-480	190-277 380-480	95-600
Sensed Voltage	Average	RMS	Average	RMS	Average	Average	Average	Average	Average	Average	Average	Average
Sensing Frequency (Hz)	50/60	50/60	Option 1: 50/60 2: 400	50/60	50/60	50/60	50/60	50/60	50/60	50/60	50/60	50-400
Generator Current Limiting Protection	No	No	No	No	No	No	No	No	No	No	No	No
AVR Condition LEDs	No	Yes	No	Yes	No	No	No	No	No	No	No	No
3 Phase Sensing	No	Yes	Yes	Yes	No	No	No	No	No	No	No	Yes
1 Phase Sensing	Yes	Yes	Yes	Yes	Yes	Yes	Yes	Yes	Yes	Yes	Yes	Yes
Loss of Sensing Protection	Yes ⑥	Yes	No	Yes	No	No	Yes	Yes	Yes ⑥	No	No	No

- ① With regulator mounted in generator conduit box.
- ② Meets MIL461C, Part 9.
- ③ Requires the addition of a paralleling current transformer.
- ④ Requires the addition of a paralleling module along with a paralleling current transformer.
- ⑤ Requires the addition of VAR/PF Module.
- ⑥ Protection is inherent. Sensing and power input share the same two leads.
A loss of sensing (open in the sensing circuit) results in an open in the input power circuit, and the regulator will shut down.

MARATHON ELECTRIC SERVICE PARTS

Current design units only. Contact factory for older units.

MAGNAPLUS® (PSL1700 SERIES)

Description	281-287 Frame		361-363 Frame		431-433 Frame	
	P/N	List Price	P/N	List Price	P/N	List Price
RECT. ASSY.	777079-0A	\$190	777056-0A	\$270	777062-0A	\$385
FORWARD DIODE	730824-01	\$44	730824-01	\$44	730835-01	\$59
REVERSE DIODE	730825-01	\$44	730825-01	\$44	730835-02	\$59
SURGE PROTECTOR	NONE	N/A	NONE	N/A	730844-01	\$125
BEARING (ODE)	A-7812R-30	\$25	A-7812R-60	\$110	A-7812R-60	\$110
BEARING (DE)	A-7812R-50	\$54	CONTACT FACTORY		A-7812R-90	\$295
FAN	716407-01	\$98	716517-01	\$105	B-525510A-A	\$445
LINKBOARD-4 POST	765059-01 ^①	\$34	NONE	N/A	NONE	N/A
LINKBOARD	765076-01	\$50	765061-01	\$72	765064-01	\$185
SPACE HEATER	799036-0A	\$1155	799035-0A	\$865	B-527463	\$500
O-RING	865869-01	\$5.55	865873.01	\$5.55	NONE	N/A

280 FRAME MAGNAPLUS® (CSL1500 SERIES)

Description	281-284 Frame	
	P/N	List Price
RECT. ASSY.	2MG932001	\$340
FORWARD DIODE	730839-01	\$54
REVERSE DIODE	730839-02	\$54
FAN	8MG435002	\$92

280 FRAME MAGNAPLUS® (CSL1500 SERIES)

Description	281-287 Frame	
	P/N	List Price
BEARING (ODE)	A-90006R-35	\$29
ENDBELL (ODE)	8MG013029	\$135
LINKBOARD	765059-01	\$34
O-RING	865569-01	\$5.55

MAGNAPLUS® DRIVE DISC

Description	281-283 Frame		284-287 Frame		361-363 Frame		431-433 Frame	
	P/N	List Price	P/N	List Price	P/N	List Price	P/N	List Price
SAE 6.5	702325-01	\$54	702938-01	\$72	NONE	N/A	NONE	N/A
SAE 7.5	702326-01	\$54	702512-01	\$54	702512-01	\$54	NONE	N/A
SAE 8	702327-01	\$59	702513-01	\$64	702513-01	\$64	NONE	N/A
SAE 10	702328-01	\$54	702514-01	\$54	702514-01	\$54	702725-01	\$92
SAE 11.5	702329-01	\$54	702515-01	\$54	702515-01	\$54	A-525506	\$54
SAE 14	NONE	N/A	NONE	N/A	702516-01	\$78	A-525508	\$54

MAGNAMAX^{DVR}

Description	430 Frame		570 Frame		740 Frame	
	P/N	List Price	P/N	PRICE	P/N	List Price
RECT. ASSY.	B-525528F	\$770	B-525528F	\$770	B-525528G	\$905
FORWARD DIODE	B-525570-2	\$115	B-525570-2	\$115	B-525570-2	\$115
REVERSE DIODE	B-525571-2	\$115	B-525571-2	\$115	B-525571-2	\$115
SURGE PROTECTOR	B-526482-1	\$135	B-526482-1	\$135	B-526482-2	\$190
BEARING (ODE)	A-7812R-70	\$160	A-7812R-80	\$225	A-7812R-110	\$495
BEARING (DE)	A-7812R-90	\$295	A-7812R-90	\$295	A-7812R-110	\$495
ENDBELL (ODE)	B-525518A-Y	\$515	B-525605A-Y	\$655	B-525739A-Y	\$1,135
ENDBELL (DE)	B-525596A-Y	\$690	B-525693A-Y	\$805	B-525751A-Y	\$1,300
SPACE HEATER-STD	B-525756	\$500	B-525757	\$540	B-525758	\$1,090
SPACE HEATER	B-527463 ^②	\$500	NONE	N/A	NONE	N/A
PMG STATOR ASSY	A-525548-1	\$285	A-525548-1	\$285	A-525548-1	\$285
PMG ROTOR ASSY	A-526816	\$490	A-526816	\$490	A-526816	\$490
PMG CAPACITOR	A-66377-45	\$25	A-66377-45	\$25	A-66377-45	\$25

① 281 Frame Linkboard (require 2 per unit).

② Redesign Space Heater for 6000 series 430 frame generator.

③ Contact factory for older units.

LIMA®MAC (250-280 FRAME)

Description	250 Frame		260 Frame		280 Frame	
	P/N	List Price	P/N	List Price	P/N	List Price
BRIDGE DIODE (2)	761468-01	\$59	NONE	N/A	NONE	N/A
STAT. RECT. (4 LD)	777058-0A	\$435	NONE	N/A	NONE	N/A
RECT. ASSY. (2 PC)	NONE	N/A	778714-0A ^③	\$235	778714-0A ^③	\$235
RECT. ASSY. (RFR)	NONE	N/A	NONE	N/A	777086-0A	\$285
RECT. ASSY. (OLD)	NONE	N/A	NONE	N/A	777079-0A	\$190
F DIODE 778714-0A	NONE	N/A	730839-01	\$54	730839-01	\$54
R DIODE 778714-0A	NONE	N/A	730839-02	\$54	730839-02	\$54
F DIODE 777086-0A	NONE	N/A	NONE	N/A	730824-01	\$44
R DIODE 777086-0A	NONE	N/A	NONE	N/A	730825-01	\$44
BEARING (ODE)	A-90006R-35	\$29	A-90005R-40	\$59	CONTACT FACTORY	
BEARING (DE)	A-7811R-50	\$56	CONTACT FACTORY		A-7812R-50	\$54

LIMA®MAC (360-580 FRAME)

Description	360 Frame		440 Frame		580 Frame	
	P/N	List Price	P/N	List Price	P/N	List Price
RECT. ASSY.	777056-0A	\$270	777056-0A	\$270	777056-0A	\$270
FORWARD DIODE	730824-01	\$44	730824-01	\$44	730824-01	\$44
REVERSE DIODE	730825-01	\$44	730825-01	\$44	730825-01	\$44
BEARING (ODE)	A-7812R-60	\$110	CONTACT FACTORY		A-7811R-70	\$315
BEARING (DE)	A-7812R-65	\$125	A-90005R-80	\$465	A-7811R-90	\$675

332CSA (5200 SERIES) Pancake Capacitor

Description	P/N	List Price
DIODE	730825-01	\$44
SURGE PROTECTOR	761684-0A	\$13
CAPACITOR	A-66377-49	\$39
BEARING (ODE)	A-90006R-35	\$29
ENDBELL (ODE)	5LHD013033	\$235
O-RING	865869-01	\$5.55
FAN	716002-01	\$64
POT COVER	8LHD306022	\$34

330 FRAME CSA (3000 SERIES) Pancake AVR

Description	P/N	List Price
RECT. ASSY.	5LHD675045-A	N/A
BEARING (ODE)	A-90006R-35	\$29
FAN	716002-01	\$64
CLAMP PLATE	8LHD.156.021	Contact factory

STANDARD MARATHON REGULATORS & FUSES

Description	P/N	List Price
SE350	761594-01	\$500
SE350 FUSE	A-527066-1	\$11.00
PM300	761597-01	\$770
DVR2000E+	D-528258	\$2,105
DVR2000EC	A-528258C	\$2,620
DVR FUSE	A-525698-1	\$8.95
DVR FUSE HOLDER	A-525893-2	\$11.00
DVR COVER	D-528465	\$24

Description	P/N	List Price
VR63-4C	761560-01	\$805
APR63-5	A-512554	\$830
APR125-5	A-513062	\$1,740
AVC63-4A	761590-01	\$720
AVC63-12B1	769812-03	\$1,675
AVC63-12B2	769812-04	\$1,675

All other parts, please contact your local manufacturer's rep. as identified on back cover.
PRICES AND DATA SUBJECT TO CHANGE WITHOUT NOTICE.

MARATHON ELECTRIC MANUFACTURING CORPORATION

GPN411 TERMS AND CONDITIONS OF SALE

ALL QUOTATIONS ARE MADE AND ALL ORDERS ARE ACCEPTED BY MARATHON ELECTRIC MANUFACTURING CORPORATION SUBJECT ONLY TO THESE TERMS AND CONDITIONS.

1. MODIFICATIONS OF SALES TERMS

Any Terms and Conditions contained in any purchase order or other form of communication from Marathon's customers which are additional to or different from these Terms and Conditions shall be deemed rejected by Marathon unless expressly accepted in writing by Marathon. In general, no modification, amendment, waiver or other change of any of these Terms and Conditions and those contained on the reverse side hereof and/or in attachments hereto ("Terms and Conditions"), or of any of Marathon's rights or remedies thereunder, shall be binding on Marathon unless expressly accepted in writing by Marathon's authorized officers. No course of dealing, usage of trade or course of performance shall be relevant to explain or supplement any of these Terms and Conditions. In case of conflict between the Terms and Conditions printed on this page and those contained on the face side or in attachments hereto, the latter shall control. If any document issued by any party hereto is sent by facsimile or another form of electronic document transmission, the parties hereto agree that (a) the copy of any such document printed on the facsimile machine or printer of the recipient thereof is a counterpart original copy thereof and is a "writing", (b) delivery of any such document to the recipient thereof by facsimile or such other form of electronic document transmission is authorized by the recipient thereof and is legally sufficient for all purposes as if delivered by United States mail, (c) the typewritten name of an authorized agent of the party sending such document on any such document is sufficient as a signature thereon and behalf of such party and the intent of such signature is to authenticate the writing, and (d) an electronically stored and reproduced copy of any such document shall be deemed to be legally sufficient evidence of the terms of such document for all purposes.

2. ACCEPTANCE OF ORDERS

Acceptance by Marathon of Buyer's purchase order(s) is expressly conditioned upon Buyer's assent to these Terms and Conditions. Buyer will be deemed to have assented to such Terms and Conditions unless Marathon receives written notice of any objections within fifteen (15) days after Buyer's receipt of this form and in all events prior to any delivery or other performance by Marathon of Buyer's order.

3. QUOTATIONS

Quotations by Marathon shall be deemed to be offers by Marathon to sell the equipment described therein subject to these Terms and Conditions, and acceptance of such offers is expressly limited to acceptance by Buyer of all of these Terms and Conditions within thirty (30) days from the date of the quotation. Purchase orders submitted by Buyer for the equipment quoted by Marathon shall be subject to and will be deemed to constitute acceptance of these Terms and Conditions. All purchase orders will be subject to approval by Marathon.

4. PRICES; PRICE CHANGES

All prices are net F.O.B. shipping point and are subject to change without notice. In the event of a change in Marathon's prices, the price for equipment unshipped will be the price in effect on the date of shipment.

If Marathon's quoted price was based upon delivery to and acceptance by Buyer of a specified quantity of equipment, such price shall be subject to adjustment if Buyer does not accept the quantity at the times specified in Marathon's quotation, and Buyer will be invoiced at Marathon's standard price without quantity discounts, if any, for the quantity of equipment actually accepted by Buyer.

5. TAXES

In addition to any prices, Buyer shall pay the amount of any present or future manufacturer's tax, retailer's occupation tax, use tax, sales tax, excise tax, duty, custom, inspection or testing fee, or any other tax, fee or charge of any nature whatsoever imposed by any governmental authority, on or measured by the transaction between Marathon and Buyer. In the event Marathon is required to pay any such tax, fee or charge, Buyer shall reimburse Marathon therefor; or, in lieu of such payment, Buyer shall provide Marathon at the time the order is submitted with an exemption certificate or other document acceptable to the authority imposing such tax, fee or charge.

6. TERMS OF PAYMENT

All orders are subject to the approval of Marathon. Terms of payment are cash in full no later than thirty (30) days from date of shipment, without discount. If, during the period of performance of an order, the financial condition of buyer is determined by Marathon not to justify the terms of payment specified, Marathon may demand full or partial payment in advance before proceeding with the work, or satisfactory security or guarantees that invoices will be promptly paid when due, or, at its option without prejudice to other lawful remedies, may defer delivery or cancel this contract. If delivery is deferred, the equipment may be stored as provided in Section 9 hereof and Marathon may submit a new estimate of cost for completion based on prevailing conditions. If Buyer defaults in any payment when due, or in the event any voluntary or involuntary bankruptcy or insolvency proceedings involving Buyer are initiated by or against Buyer, then the whole contract price shall immediately become due and payable upon demand, or Marathon, at its option without prejudice to its other lawful remedies, may defer delivery or cancel this contract.

Prorata payments shall become due as shipments are made. If shipments are delayed by the Buyer for any cause, payments shall become due from the date on which Marathon is prepared to make shipment and storage shall be the Buyer's risk and expense as provided in Section 9 hereof. If manufacture is delayed by the Buyer for any cause, a partial payment based upon the proportion of the order completed shall become due from the date on which Marathon is notified of the delay.

7. DELIVERY; RISK OF LOSS

All sales are F.O.B. Marathon's plant or other point of shipment designated by Marathon. Shipping dates are estimates only which are not guaranteed and are based upon prompt receipt from Buyer of all necessary shipping and other information. Marathon reserves the right to make delivery in installments, all installments to be separately invoiced and paid for by Buyer when due per invoice, without regard to subsequent deliveries.

Delivery of equipment to a commercial carrier at Marathon's plant or other loading point shall constitute delivery to Buyer, and any risk of loss and further cost and responsibility thereafter for claims, delivery, loss or damage, including, if applicable, placement and storage, shall be borne by Buyer. When equipment is delivered by Marathon's truck, unloading at Buyer's dock shall constitute delivery to Buyer. Claims for shortages or other errors in delivery must be made in writing to Marathon within ten (10) days after receipt of shipment and failure to give such notice shall constitute unqualified acceptance and a waiver of all such claims by Buyer. Claims for loss or damage to equipment in transit by common carrier must be made to the carrier and not to Marathon.

Freight and handling charges by Marathon may not reflect actual freight charges prepaid to the carrier by Marathon due to incentive discounts earned by Marathon based upon Marathon's aggregate volume of freight tendered to a carrier or when a carrier must be used which charges a rate which is different than the rate upon which

Marathon's freight and handling charges were based. When shipments are delivered in Marathon's private trucks, Buyer will be charged an amount approximating the prevailing common carrier rate.

8. EXCUSABLE DELAYS; FORCE MAJEURE

Marathon shall not be liable for any ordinary, incidental, or consequential loss or damage as a result of Marathon's delay in or failure of delivery or installation due to (i) any cause beyond Marathon's reasonable control, (ii) an act of God, act of the Buyer, embargo or other government act, authority, regulation or request, fire, theft, accident, strike, slowdown or other labor disturbance, war, riot, delay in transportation, or (iii) inability to obtain necessary labor, materials, components, or facilities.

Should any of the aforementioned events of force majeure occur, Marathon, at its option, may cancel Buyer's order with respect to any undelivered equipment or extend the delivery date for a period equal to the time lost because of delay. Notice of such election shall be given promptly to Buyer. In the event Marathon elects to so cancel the order, Marathon shall be released of and from all liability for failure to deliver the equipment, including, but not limited to, any and all claims on behalf of Buyer for lost profits, or any other claim of any nature which Buyer might have.

If shipping or progress of the work is delayed or interrupted by Buyer, directly or indirectly, Buyer shall pay Marathon for all additional charges resulting therefrom.

9. STORAGE

If the equipment is not shipped within thirty (30) days after notification has been made to Buyer that it is ready for shipping, for any reason beyond Marathon's control, including Buyer's failure to give shipping instructions, Marathon may store the equipment at Buyer's risk and expense in a warehouse or on Marathon's premises, and Buyer shall pay all handling, transportation and storage costs at the prevailing commercial rates promptly following Marathon's submission of invoices for such costs.

10. WARRANTIES TO DISTRIBUTORS AND INDUSTRIAL OR COMMERCIAL CUSTOMERS

This warranty is extended only to Marathon's distributors and industrial or commercial customers and does not apply to consumer purchasers. This warranty applies to all generator and related parts sales.

Warranty Period - (a) Marathon warrants Standby Duty Generators manufactured by or for it to be free from defects in materials and workmanship and to conform to Marathon's written specifications for a period of 24 months from date of startup, 30 months from date of shipment, or 1000 hours in use, whichever period shall expire first. (b) Marathon warrants the Continuous Duty Generators manufactured by or for it to be free from defects in materials and workmanship and to conform to Marathon's written specifications for a period of 12 months from date of startup or 18 months from date of shipment, whichever period shall expire first.

Warranty Remedies - If, prior to expiration of the foregoing applicable warranty period, any of such products shall be proved to Marathon's satisfaction to be defective or nonconforming, Marathon will repair or replace such defective equipment or components thereof, F.O.B. Marathon's plant or other destination designated by Marathon, or will refund or provide Buyer with a credit in the amount of the purchase price paid therefor by Buyer, at Marathon's sole option. Buyer's exclusive remedy and Marathon's sole obligation under this warranty shall be limited to such repair or replacement, F.O.B. Marathon's plant or other destination designated by Marathon, or refund or credit by Marathon, and shall be conditioned upon Marathon's receiving written notice of any defect within a reasonable period of time (but in no event more than sixty (60) days) after it was discovered or by reasonable care should have been discovered. In no event shall Marathon's liability for such defective or nonconforming products exceed the purchase price paid by Buyer therefor.

Exclusions - This warranty does not (i) cover shipping expenses to and from Marathon's factory or other destination designated by Marathon for repair or replacement of defective equipment or any tax, duty, custom, inspection or testing fee, or any other charge of any nature related thereto, nor does it cover the costs of disassembling or removing defective equipment or reassembling, reinstalling, or testing repaired or replaced equipment or finishing the reinstallation thereof, (ii) apply and shall be void with respect to equipment operated in excess of rated capacity or otherwise not in accordance with installation, maintenance, or operating instructions or requirements, to equipment repaired or altered by others than Marathon or Marathon's authorized service agencies, or to equipment which was subjected to abuse, negligence, misuse, misapplication, accident, damages by circumstances beyond Marathon's control, to improper installation (if by others than Marathon), operation, maintenance or storage, or to other than normal use or service, and (iii) apply to equipment or components not manufactured by or for Marathon. With respect to equipment or components not manufactured by Marathon, Marathon's warranty obligations shall in all respects conform and be limited to the warranty actually extended to Marathon by its suppliers, but in no event shall Marathon's obligations be greater than those provided under Marathon's warranty set forth in this Section 10.

THE FOREGOING WARRANTIES ARE IN LIEU OF ALL OTHER EXPRESS AND IMPLIED WARRANTIES (EXCEPT TITLE), INCLUDING, WITHOUT LIMITATION, THE IMPLIED WARRANTIES OF MERCHANTABILITY AND FITNESS FOR A PARTICULAR PURPOSE. NO EMPLOYEE, REPRESENTATIVE, OR AGENT OF MARATHON OTHER THAN AN OFFICER OF MARATHON IS AUTHORIZED TO ALTER OR MODIFY ANY PROVISION OF THIS SECTION 10 OR TO MAKE ANY GUARANTEE, WARRANTY, OR REPRESENTATION, EXPRESS OR IMPLIED, ORALLY OR IN WRITING, WHICH IS CONTRARY TO THE FOREGOING. Any description of the equipment, whether in writing or made orally by Marathon or Marathon's agents, specifications, samples, models, bulletins, drawings, diagrams, engineering sheets or similar materials used in connection with Buyer's order are for the sole purpose of identifying the equipment and shall not be construed as an express warranty. Any suggestions by Marathon or Marathon's agents regarding use, application or suitability of the equipment shall not be construed as an express warranty unless confirmed to be such in writing by Marathon's authorized officer.

11. LIMITATIONS OF LIABILITY; CONSEQUENTIAL DAMAGES

Nuclear Use Disclaimer - Equipment sold by Marathon is not intended for use in connection with any nuclear facility or activity. If so used, Marathon disclaims all liability for any nuclear damage, injury or contamination, and Buyer shall indemnify and hold Marathon, its officers, agents, employees, successors, assigns and customers harmless from and against any and all losses, damages or expenses of whatever form or nature (including attorneys' fees and other costs of defending any action) which they or any of them may sustain or incur, whether as a result of breach of contract, warranty, tort (including negligence) or otherwise, by reason of such use.

Consequential Damage Disclaimer - Marathon's liability with respect to equipment proved to its satisfaction to be defective within the warranty period shall be limited to repair, replacement or refund as provided in Section 10 hereof, and in no event shall Marathon's liability exceed the purchase price of the equipment involved. Marathon shall not be subject to any other obligations or liabilities, whether arising out of breach of contract, warranty, tort (including negligence) or other theories of law, with respect to equipment sold or services rendered by Marathon, or any undertakings, acts or omissions relating thereto. Without limiting the generality of the foregoing, Marathon specifically disclaims any liability for property or personal injury damages, penalties, special or punitive damages, damages for lost profits or revenues, loss of use of equipment or any associated equipment, cost of capital, cost of substitute products, facilities or services, downtime, shutdown, or slowdown costs, or for any other types of economic loss, and for claims of Buyer's customers for any such damages.

EVEN IF THE REPAIR OR REPLACEMENT REMEDY SHALL BE DEEMED TO HAVE FAILED OF ITS ESSENTIAL PURPOSE UNDER SECTION 2-719 OF THE UNIFORM COMMERCIAL CODE, MARATHON SHALL HAVE NO LIABILITY TO BUYER FOR CONSEQUENTIAL DAMAGES, SUCH AS LOST PROFITS, LOST REVENUE, DAMAGE TO OTHER EQUIPMENT OR LIABILITY OR INJURY TO A THIRD PARTY. MARATHON SHALL NOT BE LIABLE FOR AND DISCLAIMS ALL CONSEQUENTIAL, INCIDENTAL AND CONTINGENT DAMAGES WHATSOEVER.

12. INDEMNIFICATION BY BUYER

Buyer shall indemnify, hold harmless, and defend Marathon and Marathon's employees and agents from and against any and all damages, liability, claims, losses, and expenses (including reasonable attorneys' fees, court costs, and out-of-pocket expenses) arising out of or resulting in any way from claims by customers of Buyer or third parties against Marathon alleging a breach of contract or warranty by Marathon to the extent that such damages, liability, claims, losses, and expenses which may be payable by Marathon to Buyer pursuant to and as limited by Marathon's warranty and damage obligations as contained in Sections 10 and 11 hereof so as to effectively limit Marathon's obligations to customers of Buyer or third parties to those set forth in Sections 10 and 11 hereof.

13. PATENT INDEMNIFICATION

Marathon will, at its own expense, defend or settle any suits that may be instituted against Buyer for alleged infringement by the equipment of any United States patent, provided that (a) such alleged infringements consist of the use of the equipment for any of the purposes for which such equipment was sold, (b) Buyer shall have made all payments for such equipment then due hereunder, (c) Buyer shall give Marathon immediate notice in writing of any such suit and transmit to Marathon immediately upon receipt all processes and papers served upon Buyer, and (d) Buyer shall permit Marathon through its counsel, either in the name of Buyer or in the name of Marathon, to defend such suit(s) and give all needed information, assistance and authority to enable Marathon to do so.

In case of a final award of damages in any such suit, Marathon will pay such award but will not be responsible for any compromise or settlement made without its written consent. In case the equipment itself is in such suit held to infringe any valid patent issued in the United States and its use enjoined, or in the event of a settlement or compromise approved by Marathon which shall preclude future use of the equipment sold to Buyer hereunder, Marathon shall, at its own expense and at its sole option, either (a) procure rights to continue using such equipment, (b) modify the equipment to render it non-infringing, (c) replace the equipment with non-infringing equipment or (d) refund the purchase price paid by Buyer for the equipment after return of the equipment to Marathon. Notwithstanding the foregoing, Marathon shall not be held responsible for infringements of combination or process patents covering the use of equipment in combination with other goods or materials not furnished by Marathon.

The foregoing states the entire liability of Marathon for patent infringement, and **IN NO EVENT SHALL MARATHON BE LIABLE FOR CONSEQUENTIAL OR INCIDENTAL DAMAGES ATTRIBUTABLE TO AN INFRINGEMENT** nor for infringement based on the use of the equipment for a purpose other than that for which sold by Marathon. As to any equipment furnished by Marathon to Buyer manufactured in accordance with designs proposed or furnished by Buyer or any claim of contributory infringement resulting from the use or resale by Buyer of equipment sold hereunder, Buyer shall indemnify Marathon for any award made against Marathon or settlement by Marathon for any patent, trademark or copyright infringements, including attorneys' fees and defense costs.

14. SECURITY AGREEMENT AND FINANCING STATEMENTS

To secure payment of the purchase price and of all monies which may be due hereunder, and performance of all of Buyer's obligations hereunder, Buyer hereby grants to Marathon a security interest in all equipment sold by Marathon, and agrees to execute such other

Security Agreements and Financing Statements as Marathon may reasonably request.

15. INSURANCE

Until payment in full of the purchase price, Buyer shall maintain insurance covering all equipment sold by Marathon to Buyer in such amounts and against such risks as is customary by companies engaged in the same or similar business and similarly located, and shall, upon Marathon's request, furnish evidence of such insurance satisfactory to Marathon.

16. DRAWINGS; OTHER DESIGN DATA

All specifications, drawings, designs, data, information, ideas, methods, tools, gages, dies, fixtures, patterns and/or inventions made, conceived, developed or acquired by Marathon in connection with procuring and/or executing Buyer's order will vest in and inure to Marathon's sole benefit notwithstanding any charges therefor which may have been or may be imposed by Marathon.

Buyer shall not give, loan, exhibit, sell or transfer to any person not then employed by Buyer and authorized to receive such information, or to any organization or entity, any drawing, photograph or specification furnished by Marathon or reproduction thereof which may enable such person, organization or entity to furnish similar goods or parts therefor.

17. RETURN OF EQUIPMENT

No equipment or part shall be returned to Marathon without written authorization and shipping instructions first having been obtained from Marathon.

18. ASSIGNMENT AND SUBCONTRACTING

None of the Buyer's rights under any order shall be assigned by the Buyer to any other person, whether by operation of law or otherwise, without Marathon's prior written approval. Marathon may, without the necessity of obtaining Buyer's prior written consent, subcontract the production of all or any portion of the equipment.

19. CANCELLATION

No order submitted to Marathon may be cancelled by Buyer without the prior written consent of Marathon, which consent will at all times be conditioned on Buyer's agreement to pay Marathon's cancellation charge. For finished equipment which in Marathon's judgment is readily resalable to others, the cancellation charge shall be 15% of the invoice price of the equipment. For all other cancellations, the cancellation charge shall amount to all costs and expenses incurred by Marathon and arising out of or in connection with Buyer's order, net of recoverability, but in no event less than 10% of the invoice price of the equipment or more than the invoice price.

20. GENERAL

Governing Law - These Terms and Conditions, and the contract of sale between Marathon and Buyer, shall be governed by and construed in accordance with the laws of the State of Wisconsin. Marathon and Buyer hereby agree that any legal action deemed necessary by either party hereto shall be brought in the Circuit Court in and for Marathon County, Wisconsin and hereby consent to the personal jurisdiction of such court in any such action over the parties hereto. The rights and obligations of Marathon and Buyer shall not be governed by the provisions of the United Nations Convention on Contracts for the International Sale of Goods.

Attorneys' Fees - Buyer agrees to pay all of Marathon's costs and expenses of collection and related litigation, including but not limited to attorneys' fees and costs.

Salvatory Clause - The invalidity, in whole or in part, of any of the provisions of these Terms and Conditions, shall not affect the enforceability of any of the other provisions thereof.

Applicability - The Terms and Conditions as stated herein are applicable as of the date of this printing and until such time as changed by Marathon.

Freight Policy

All prices are quoted F.O.B. Monterrey, Mexico; or Pharr, TX; or Wausau, WI; or Indianapolis, IN; dependent upon plant of manufacture. Customers may use any one of the following methods:

- Pick up generators at our plant of manufacture on their own carrier
- Allow us to ship the generators freight collect
- Allow us to ship via our carriers

Marathon will ship the generator on our approved corporate freight carriers at the following percentage (%) adders applied to the net generator and accessory price:

Alabama 5%	Indiana 5%	Nebraska 5%	South Carolina 5%
Alaska . . . refer to factory	Iowa 5%	Nevada 5%	South Dakota 5%
Arizona 5%	Kansas 5%	New Hampshire 5%	Tennessee 5%
Arkansas 5%	Kentucky 5%	New Jersey 5%	Texas 5%
California 5%	Louisiana 5%	New Mexico 5%	Utah 5%
Colorado 5%	Maine 5%	New York 5%	Vermont 5%
Connecticut 5%	Maryland 5%	North Carolina 5%	Virginia 5%
Delaware 5%	Massachusetts 5%	North Dakota 5%	Washington 5%
Florida 5%	Michigan 5%	Ohio 5%	West Virginia 5%
Georgia 5%	Minnesota 5%	Oklahoma 5%	Wisconsin 5%
Hawaii . . . refer to factory	Mississippi 5%	Oregon 5%	Wyoming 5%
Idaho 5%	Missouri 5%	Pennsylvania 5%	Eastern Canada 6%
Illinois 5%	Montana 5%	Rhode Island 5%	Western Canada 6%

Need a generator in a hurry?

Ask for our ONE DAY SERVICE (\$190 Net Adder Per Generator)

- 1) Generator must be in stock and be ordered with standard adaption, standard voltage regulator, and standard primer paint overcoat.
- 2) Customer must have pre-approved credit with Marathon Electric, or request C.O.D. shipment.
- 3) Orders must be phoned in to Wausau by 12:00 p.m. Central Time to allow the generator to ship the next business day.
- 4) Complete adaption, regulator, regulator nameplate data and shipping information must be received at the time of order entry.



IMPORTANT INFORMATION



Please Read Carefully

This catalog is not intended to provide operational instructions. Appropriate Marathon Electric instructions provided with the generator and precautions attached to the generator should be read carefully prior to installation, operations and/or maintenance of the equipment. Injury to personnel or generator failure may be caused by improper installation, maintenance or operation.

The following **WARNING** and **CAUTION** information is supplied for your protection and to provide you with many years of trouble free and safe operation of your Marathon Electric generator.

WARNING

- Buyer shall be solely responsible for determining the adequacy of the product for any and all uses to which Buyer shall apply the product. The application by Buyer shall not be subject to any implied warranty of fitness for a particular purpose.
- For safety, Buyer or User should provide protective guards over all shaft extensions and any moving apparatus mounted thereon. The User is responsible for checking all applicable safety codes in his area and providing suitable guards. Failure to do so may result in bodily injury and/or damage to equipment.
- Hot oil can cause severe burns. Use extreme care when removing lubrication plugs.
- Disconnect power and lock out drive equipment before working on a generator.
- Always keep hands and clothing away from moving parts.
- The lifting eyes on the generator are not to be used to lift the entire generator set. Only the generator may be safely lifted by the lifting eyes. Do not use the conduit box for lifting or support of the generator.
- Install and ground the generator per local and national codes.
- Discharge all capacitors before servicing the generator.
- Misapplication of a generator in a hazardous environment can cause fire or an explosion and result in serious injury.
- Never attempt to measure the temperature rise of a generator by touch. Temperature rise must be measured by thermometer, resistance, imbedded detector or thermocouple.
- Operation of a generator at higher than its nameplate ratings may result in fire, damage to equipment or serious injury to personnel.
- Do not apply any force to the generator fan when rotating the generator rotor.

CAUTION

- Mounting bolts should be routinely checked to ensure that the unit is firmly anchored for proper operation.
- Consult qualified personnel with questions. All electrical repairs must be performed by trained and qualified personnel only.
- Generators should not be operated faster than their rated speed.
- For inverter applications, follow the inverter manufacturer's installation guidelines.
- Make sure the generator is properly secured and aligned before operation.
- When installing the generator, insure that loose parts or tools do not fall inside the generator.
- When connecting the generator, be sure to follow the correct wiring diagram for the desired voltage. Insure that the voltage regulator is connected per the wiring diagram.

RESALE OF GOODS

In the event of the resale of any of the goods, in whatever form, Resellers/Buyers will include the following language in a conspicuous place and in a conspicuous manner in a written agreement covering such sale:

The manufacturer makes no warranty or representations, express or implied, by operation of law or otherwise, as to the merchantability or fitness for a particular purpose of the goods sold hereunder. Buyer acknowledges that it alone has determined that the goods purchased hereunder will suitably meet the requirements of their intended use. In no event will the manufacturer be liable for consequential, incidental or other damages. Even if the repair or replacement remedy shall be deemed to have failed of its essential purpose under Section 2-719 of the Uniform Commercial Code, the manufacturer shall have no liability to Buyer for consequential damages.

Resellers/Buyers agree to also include this entire document including the cautions and warnings above in a conspicuous place and in a conspicuous manner in writing to instruct users on the safe usage of the product.

This information should be read together with all other printed information supplied by Marathon Electric.

For more information contact: Marathon Electric, A Regal-Beloit Company, 100 E. Randolph St., Wausau, WI 54401
Phone: 715-675-3359 or Fax: 715-675-8026

Power Generation for the 21st Century!

MAGNAPLUS[®]



kW: 5 to 430 (60 Hertz)
kVA: 5 to 420 (50 Hertz)

LIMA[®]MAC



kW: 5 to 300 (60 Hertz)

MAGNAMAX^{DVR}



kW: 140 to 2370 (60 Hertz)
kVA: 140 to 2400 (50 Hertz)

LIMA[®]MAC Reeper



kW: 15 (60 Hertz)

MAGNAPOWER[®]



kW: 1425 to 4500 (60 Hertz)
kVA: 1500 to 3100 (50 Hertz)

PANCAKE



kW: 5 to 35 (60 Hertz)

MAGNASMART[™]



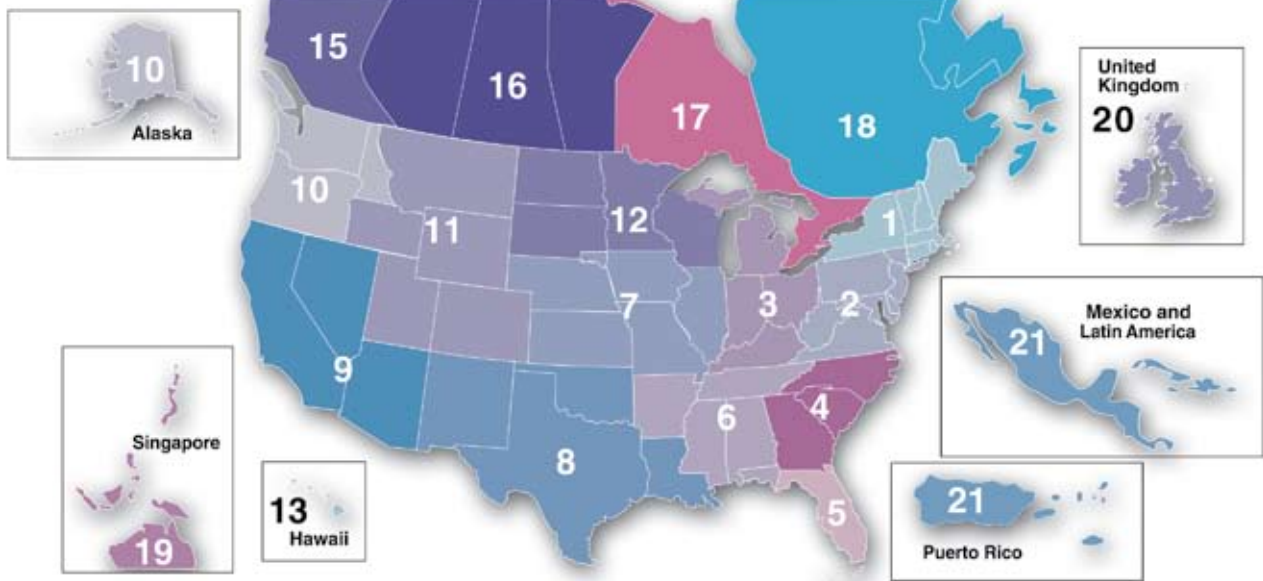
PRIMELINE[®]



kW: 12 to 450 (60 Hertz)

MARATHON ELECTRIC
GENERATORS

MARATHON ELECTRIC SALES TEAM



1 Goodall Industrial Equipment
P.O. Box 354
Natick, MA 01760
Phone: 508/651-2668
Fax: 508/655-3332
E-mail: sales@goodallsales.com

2 B. Boulden Company, Inc.
1013 Conshohocken Rd.
Conshohocken, PA 19428
Phone: 610/825-1515
Fax: 610/825-5544
E-mail: sales@bouldencompany.com

3 Benroth-Nolty Company
P.O. Box 102
Bluffton, OH 45817-0102
Phone: 419/358-4411
Fax: 419/358-0628
E-mail: tbenroth@yahoo.com

(Cleveland Office)
11260 Fairway Dr.
Columbia Station, OH 44028
Phone: 440/236-3939
Fax: 440/236-3930
E-mail: cnolty@msn.com

4 Underwood Sales Co.
2783 Longate Drive
Memphis, TN 38132
Phone: 800/536-4701
Fax: 901/398-6835
Email: sales@uscinc.net

5 Davidson Sales Company
839 Bill France Blvd.
Daytona Beach, FL 32117
Phone: 386/274-2079
Fax: 386/274-2279
E-mail: dsc@davidsonsales.com

6 Underwood Sales Co.
2783 Longate Drive
Memphis, TN 38132
Phone: 800/536-4701
Fax: 901/398-6835
Email: sales@uscinc.net

7 Power Source Midwest, Inc.
18 Hawk Ridge Blvd., Ste. 120
Lake St. Louis, MO 63367-1829
Phone: 636/625-4771
Fax: 636/625-4773
E-mail: sales@powersourcemidwest.com

8 EPAC Sales & Service
116 West Harwood Road, Ste. A
Hurst, TX 76054
Phone: 817/485-9383
Fax: 817/281-0712
E-mail: vwalley@epacsales.com

9 Koller-Nielsen & Assoc., Inc.
18453 Santa Eugenia Street
Fountain Valley, CA 92708
Phone: 714/841-1458
Fax: 714/841-1580
E-mail: knainc@aol.com

10 S. F. Griggs & Associates, Inc.
16310 Northeast 85th Street, Suite 201
Redmond, WA 98052
Phone: 425/869-5867
Fax: 425/869-9797
E-mail: sales@sfggriggs.com

11 Onsite Power, Inc.
6525 Riviera Way
Aurora, CO 80016
Phone: 303/690-8486
Fax: 303/374-2352
E-mail: dennis.roundtree@comcast.net

12 Art Polnisch
National Accounts Manager
(see home office address below)
E-mail: art.polnisch@marathonelectric.com

13 Marcelo Oliveira
National Sales Manager
7231 Lake Sterling Blvd.
Flowery Branch, GA 30542
Phone: 678-343-0377
Fax: 678-828-9678
E-mail: marcelo.oliveira@marathonelectric.com

14 Richard Olsen
Director, International Operations
(see home office address below)
E-mail: richard.olsen@marathonelectric.com

15 S. F. Griggs & Associates, Inc.
15301 Northeast 90th Street
Redmond, WA 98052
Phone: 425/869-5867
Fax: 425/869-9797
E-mail: sales@sfggriggs.com

16 Greg McGrath
Western Regional Manager
Thomson Technology Inc.
6030 - 88th Street
Edmonton, AB T6E 6G4 • CANADA
Phone: 780/413-1800
Fax: 780/413-1887
E-mail: gmcmgrath@thomsontechnology.com

17 Les Agences CMG Inc.
141 Rue Pellerin
St-Barnabé Nord QC
GOX-2KO CANADA
Phone/Fax: 819/840-5725
Email: agencescmg@videotron.ca

18 Les Agences CMG Inc
141 Rue Pellerin
St-Barnabé Nord QC
GOX-2KO CANADA
Phone/Fax: 819/840-5725
Email: agencescmg@videotron.ca

19 Tho Quach
Director, Far East Sales
Marathon Electric Far East Pte, Ltd.
12 Tuas Loop Singapore 637346
Phone: 65-6266-1851
Fax: 65-6266-3880
Email: tho.quach@marathonelectric.com

20 Julian Clark
United Kingdom Sales Office
6F Thistleton Road Ind. Estate
Market Overton
Oakham, Rutland LE15 7PP • UK
Phone: 44-[0]-1572-768206*
Fax: 44-[0]-1572-768217*
E: julian.clark@marathonelectric.com

21 ECC, Inc.
P.O. Box 8973
Coral Springs, FL 33075
Phone: 954/344-8884
Fax: 954/827-0588
E-mail: info@electriccc.com

*When dialing from outside the U.K., please omit the zero shown after the country code (44).



Your Independent Power Source for the 21st Century!

100 E. Randolph Street • P.O. Box 8003
Wausau, WI 54402-8003 USA

www.marathonelectric.com

Phone: 715-675-3359
Fax: 715-675-8026

